

**TAB5CPM3835**

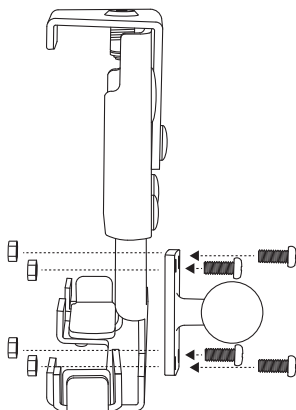
**Includes:**

- 1 - Manual
- 1 - Universal locking tablet holder (TAB005KL)
- 4 - Screws (8#-32x1/2" pan head, hex drive)
- 1 - Wrench Key (2.38mm hex)
- 2 - Locking Keys
- 2 - Foam Padding
- 1 - 38mm AMPS 4-Hole Adapter Ball Mounts (APMAMPS38MM)
- 1 - Shaft Arm (SPRM3835)
- 1 - RoadVise Clamp Mount (CPM38)

**IMPORTANT:** Clean the application surface and make sure it is free of dirt, dust, and grease before installing the mounting hardware.

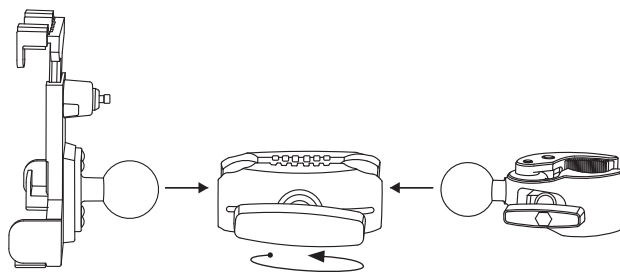
**1 Installing the Universal Locking tablet holder to the 38mm AMPS 4-hole adapter ball mount**

Locate the packaging containing the AMPS 4-hole adapter ball mounts and the Universal Locking tablet holder with installation hardware. Install the four mounting screws using the wrench hex key through the 38mm AMPS 4-hole ball adapter plate and into the tablet holder.



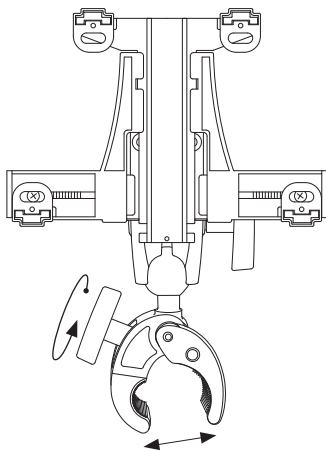
**2 Assemble the components**

Locate the RoadVise clamp mount, shaft arm, and Universal Locking tablet holder. Loosen the knob to allow the ball adapters to insert into the shaft arm by turning it counterclockwise. Insert the ball mounts to either end of the shaft arm and turn the knob clockwise to tighten.



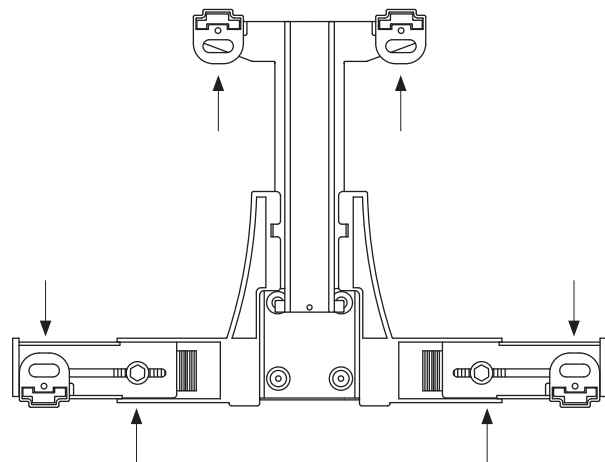
**3 How to adjust the RoadVise clamp mount**

Turn the knob on the clamp mount counterclockwise to expand the clamp arms to your desired width. Expand the arms by gently pulling them apart. Mount to your application surface and tighten the knob clockwise to secure.



**4 Adjusting the length of the tablet holder**

To adjust the tablet holder, use a Phillips screwdriver. Loosen the screws in order to expand the width and depth of the holder.

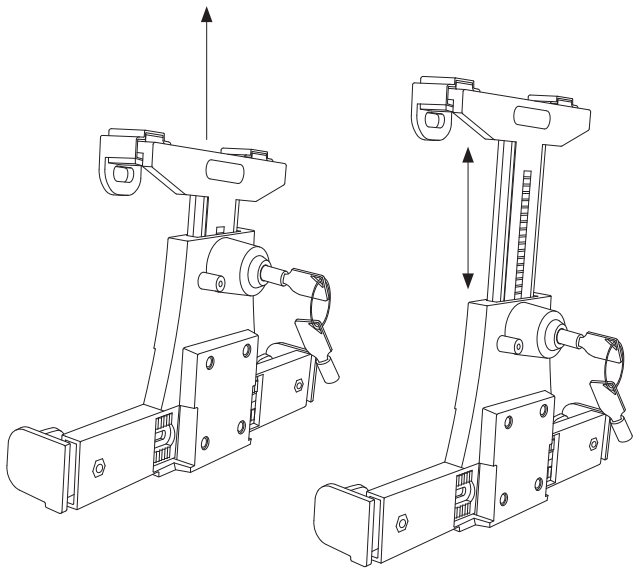


**WARNING**  
CHOKING HAZARD - Keep out of reach from children under 8 yrs. as they can choke or suffocate on parts included with this system.

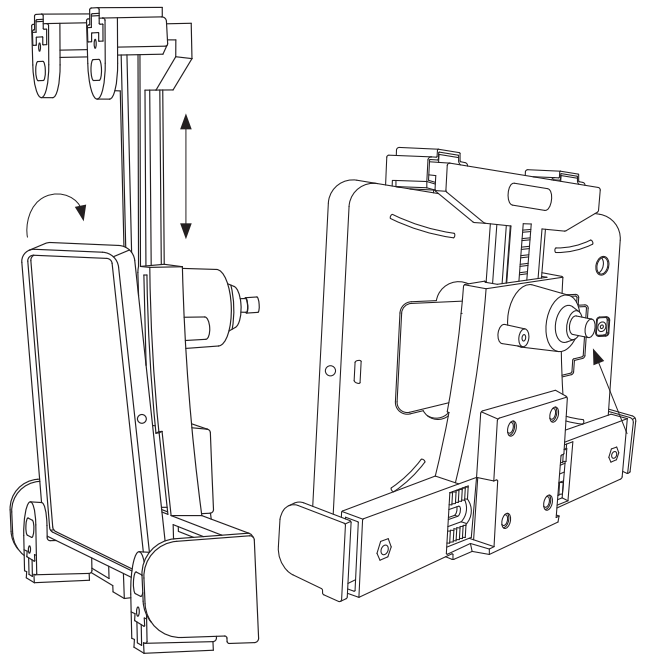
**WARNING**  
Arkon® is not responsible for any damages caused to your device or yourself due to the installation or use of this mount. Do not install Arkon® products near areas that interfere with operation of vehicles. Arkon® assumes no responsibility or liability for injury or death as a result of failure to install in a safe location. Arkon® is not responsible for any damages caused to vehicles, product, or people due to the installation or use of this product.



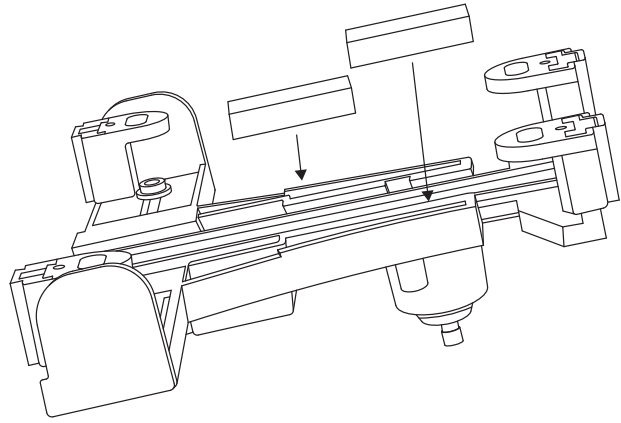
**5 Installing the tablet to the holder**  
 Apply the locking keys to unlock the height adjustment of the tablet holder. Pull up on the top arm to expand the holder.



**6 Locking the tablet into the holder**  
 To secure the tablet, insert it into the holder and adjust the top accordingly. Once the tablet is in position, push the button on the back to lock it in place.



**7 Optional - Installing the foam padding if not using a tablet case**  
 To properly set up the tablet holder, find the packaging that contains the foam padding and place it in the center of the holder.



**WARNING**  
 CHOKING HAZARD - Keep out of reach from children under 8 yrs. as they can choke or suffocate on parts included with this system.

**WARNING**  
 Arkon® is not responsible for any damages caused to your device or yourself due to the installation or use of this mount. Do not install Arkon® products near areas that interfere with operation of vehicles. Arkon® assumes no responsibility or liability for injury or death as a result of failure to install in a safe location. Arkon® is not responsible for any damages caused to vehicles, product, or people due to the installation or use of this product.