

Package Contents:

TAB005KL – Universal Locking Tablet Holder with Key Lock and Key

HD006 – Multi-Angle Drill Base Mount

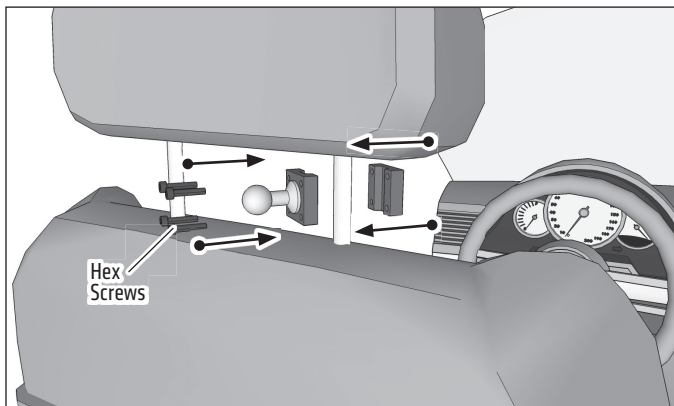
HM004-B – Headrest Clamp with 20mm Ball

Clamp fits .31"-.63" (8mm-16mm) diameter posts.

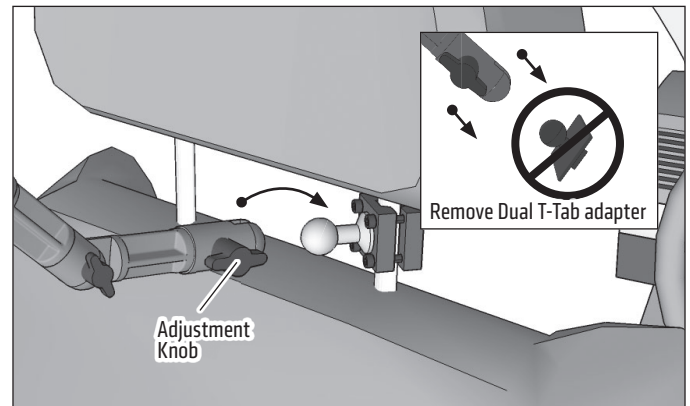
Device Compatibility: Fits 7"-10" screen size tablets

IMPORTANT: Clamp may not fit all headrest types. Please consult your vehicle's user manual for compatibility.

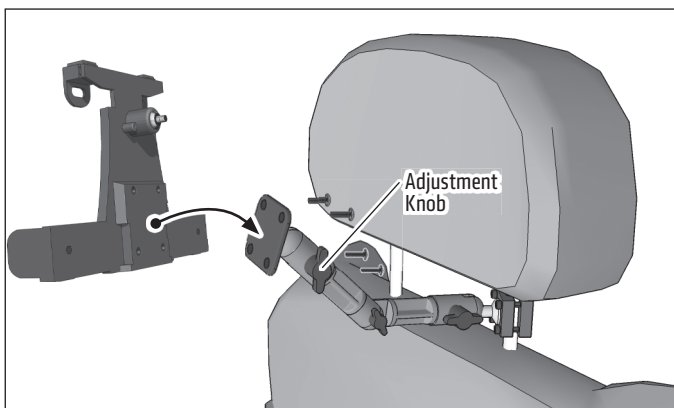
- 1 Place clamp on headrest and use the included hex key to securely tighten the 4 hex screws to securely mount clamp onto post.



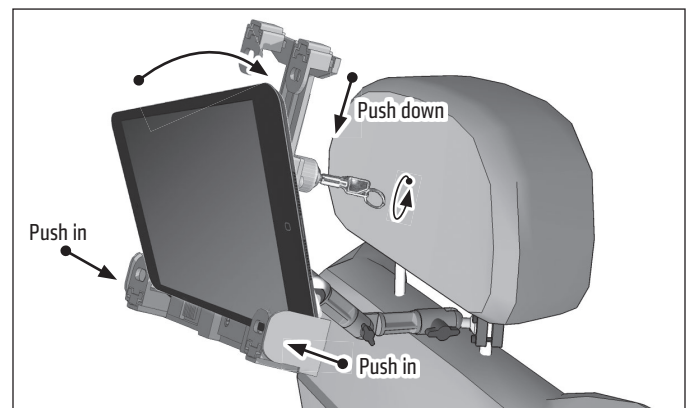
- 2 Loosen the adjustment knob on the pedestal, remove the Dual T-Tab adapter, and position the pedestal over the mount's ball. Retighten knob and set pedestal to desired angle.



- 3 Attach the holder to the mount by adding the screws through AMPS adapter to the back of the mount. Loosen adjustment knob to set desired position of holder and retighten.



- 4 Insert tablet and push in on the bottom support arms. Slide the top of the mount down to firmly hold the tablet in place. Turn key to lock.



Safety Precaution

Arkon Resources, Inc. is not responsible for any damages caused to your vehicle, your passengers, or yourself due to the installation of this product.

ARKON MOUNTS

Consumer Hotline:

USA (800) 841-0884

INT'L (626) 254-9005

Monday - Friday 9 am - 5 pm, PST

www.arkon.com

Arcadia, CA 91006 USA

Designed in USA | Made in Taiwan and USA

© Copyright 2020 Arkon Resources, Inc.