



Package Contents:

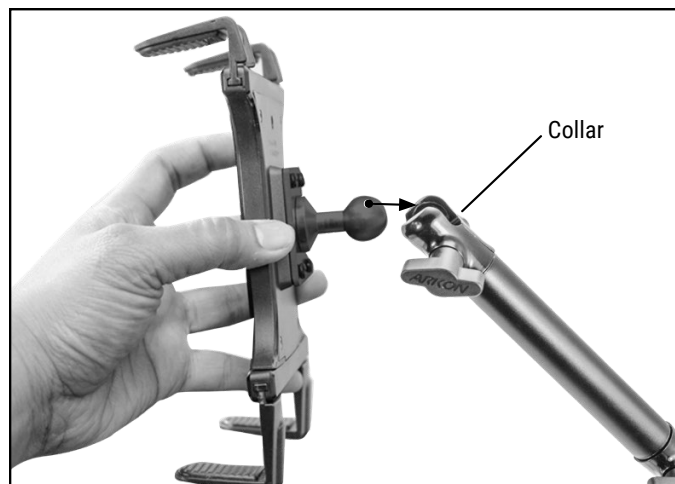
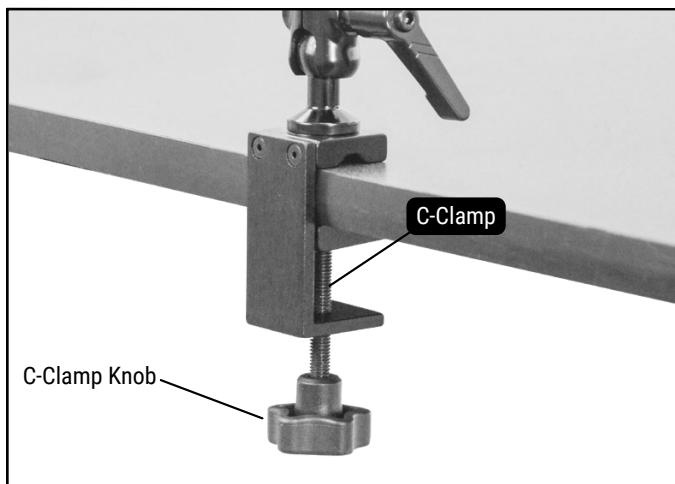
- 1 - 10" Heavy-Duty Aluminum C-Clamp Mount (HD004NHB)
- 1 - Slim-Grip® Universal Tablet Holder with 20mm Ball Adapter (TAB1MAMPS20B)

The Slim-Grip® Universal Tablet Holder fits all tablets with 7" - 18.4" screen size. It includes 4 short, 2 medium, and 4 long support legs. Select a combination of 4 support legs in conjunction for use with the spring-loaded holder to achieve the perfect fit for your tablet.

IMPORTANT: This is a spring-loaded holder. After selecting and installing the support legs that will fit your tablet, push down on the lower legs to engage the spring-loaded holder and mount your device.

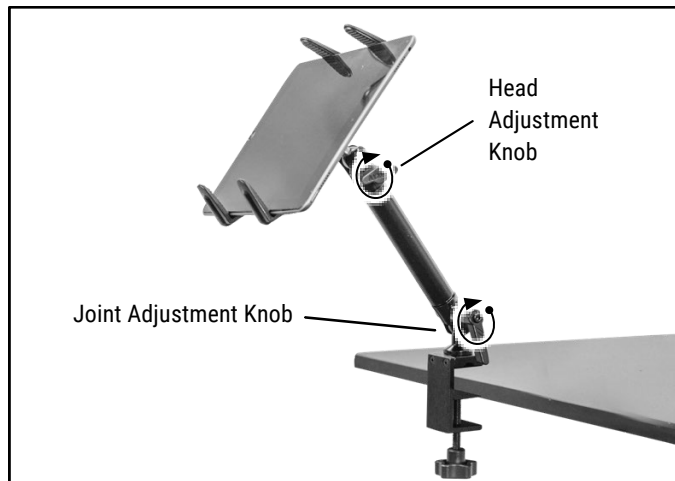
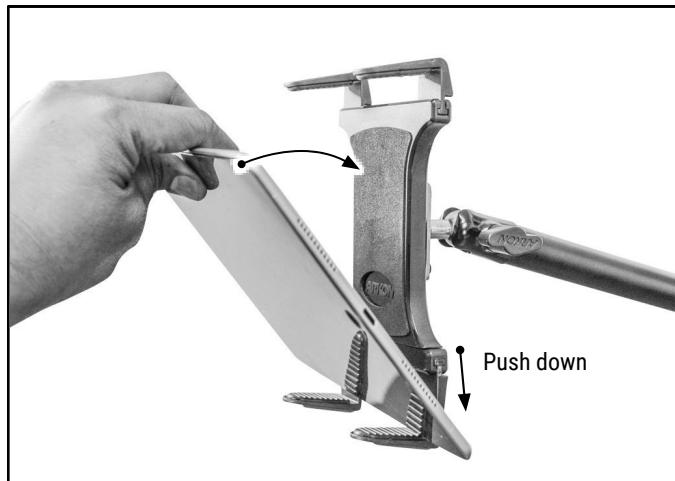
- 1 Open the C-clamp on the bottom of the mount by turning the clamp knob counterclockwise. Tighten the clamp knob to secure on mounting area.

- 2 Attach holder to the C-clamp mount by inserting the holder's 20mm ball into the mount's collar. Tighten knob to secure.



- 3 Insert tablet into holder by pushing down on the bottom spring-loaded support legs with the tablet. Slide the top of the tablet under the top support legs until it fits snugly in the holder.

- 4 Adjust the C-clamp mount position by loosening the joint adjustment knobs and retightening in the desired position.



WARNING
CHOKING HAZARD - Keep out of reach from children under 8 yrs. as they can choke or suffocate on parts included with this system

WARNING
Arkon® is not responsible for any damages caused to your device or yourself due to the installation or use of this mount. Do not install Arkon® products near areas that interfere with operation of vehicles. Arkon® assumes no responsibility or liability for injury or death as a result of failure to install in a safe location. Arkon® is not responsible for any damages caused to vehicles, product, or people due to the installation or use of this product.

