

Included Components:

- A. 1x Slim-Grip® Ultra Pro Holder with Legs and Hardware (TAB006AMPSXL)
- B. 1x Drill-Base Mounting Pedestal with 8" Arm (HD006AMPS)

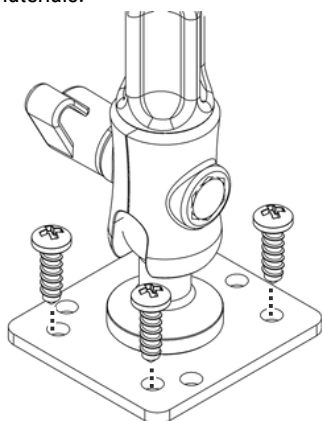
| Tablet Size Approx. | Recommended Leg Combination | Mounting Hardware |
|---------------------|-----------------------------|-------------------------------|
| 6.37" – 8.81" | 2 Small Legs | 4x Philips M4 coarse 22mm |
| 7.12" – 9.25" | 1 Small Leg + 1 Long Leg | 4x Philips M4 coarse 26mm |
| 7.62" – 10" | 2 Long Legs | 4x Philips M4 coarse 26mm |
| 8.75" – 11.12" | 1 Long Leg + Extra-Long Leg | 4x M4 Drill wall anchors 26mm |

Important: Clean the application surface and make sure it is free of dirt, dust, and grease before installation.

- If you need a replacement part, please refer to the SKU options below:
- Tablet Holder Support Legs: SPTAB6FT

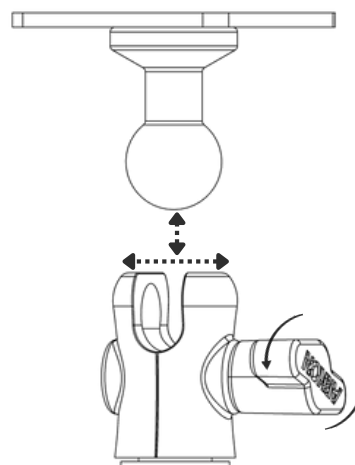
1 Secure the Base

For easier installation, remove the base from the pedestal if needed. Align the base with your mounting surface and tighten the four screws. Use the included anchors for drywall or similar materials.



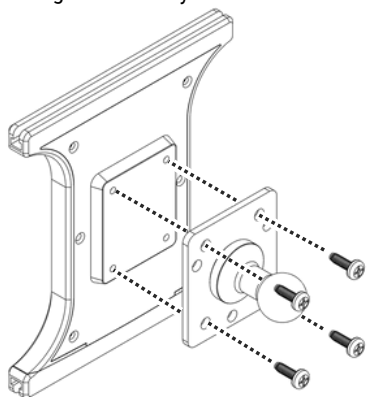
2 Disassemble the AMPS plate from the pedestal

To detach the other AMPS adapter from the drill base pedestal, simply turn one of the end knobs counterclockwise.



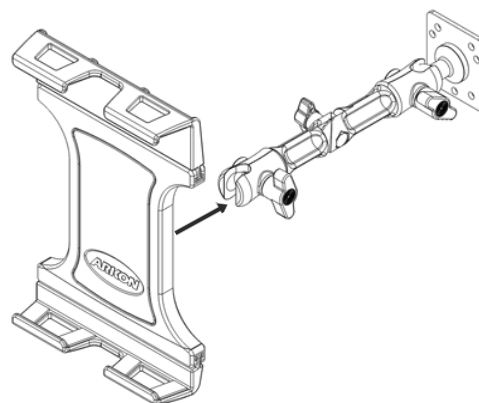
3 Install the AMPS Plate to the Holder

Align the AMPS adapter with the mounting holes on the back of the holder. Insert four screws through the plate into the holder, then tighten securely for a firm connection.



4 Assemble the Components

Attach the 20mm ball from the tablet holder to the pedestal. Finally, tighten the knob to secure everything in place.



WARNING

CHOKING HAZARD - Keep out of reach from children under 8 yrs. as they can choke or suffocate on parts included with this system

WARNING

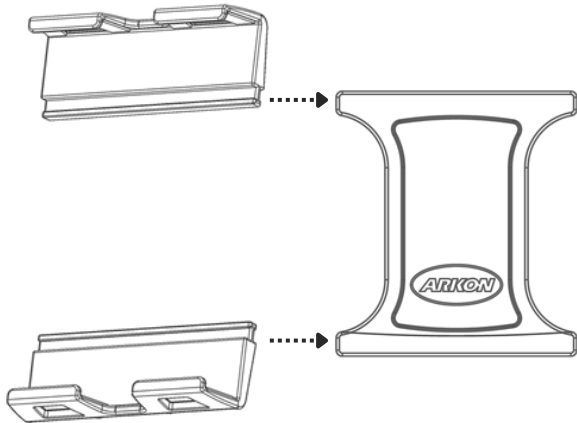
Arkon® is not responsible for any damages caused to your device or yourself due to the installation or use of this mount. Do not install Arkon® products near areas that interfere with operation of vehicles. Arkon® assumes no responsibility or liability for injury or death as a result of failure to install in a safe location. Arkon® is not responsible for any damages caused to vehicles, product, or people due to the installation or use of this product.

Continued on page 2

Tablet Holder Installation Steps:

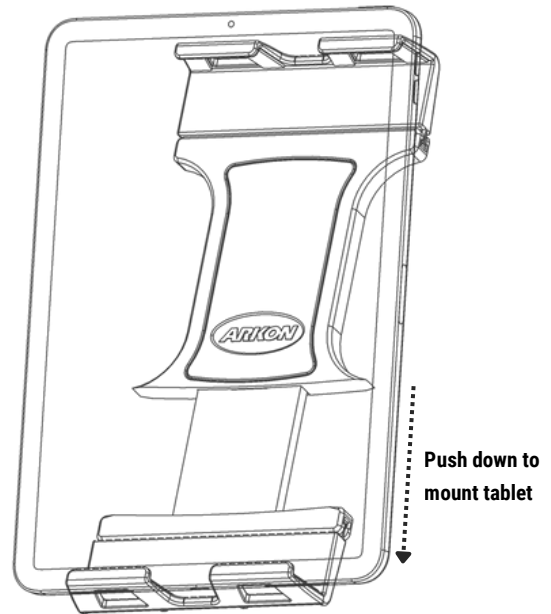
5 Installing the Support Legs

Select the appropriate support legs based on the size guidelines provided on page 1. Then, insert each leg into the designated support leg channel on the holder and slide it in until it fits securely.



6 Extend the Spring-Load Mechanism

To extend the legs, insert one end of the tablet into the bottom support legs.



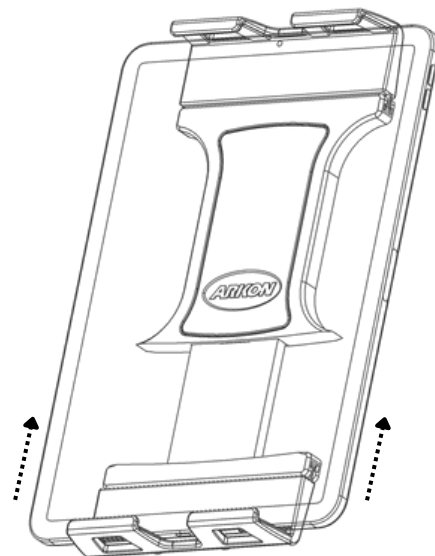
7 Install Your Tablet

With the holder's spring-loaded support legs expanded, lay the tablet flat on the holder.



8 Secure Your Tablet

Gently release the tablet into the holder, allowing the bottom spring-loaded support legs to secure the tablet.



WARNING

CHOKING HAZARD - Keep out of reach from children under 8 yrs. as they can choke or suffocate on parts included with this system

WARNING

Arkon® is not responsible for any damages caused to your device or yourself due to the installation or use of this mount. Do not install Arkon® products near areas that interfere with operation of vehicles. Arkon® assumes no responsibility or liability for injury or death as a result of failure to install in a safe location. Arkon® is not responsible for any damages caused to vehicles, product, or people due to the installation or use of this product.

