

**Includes:**

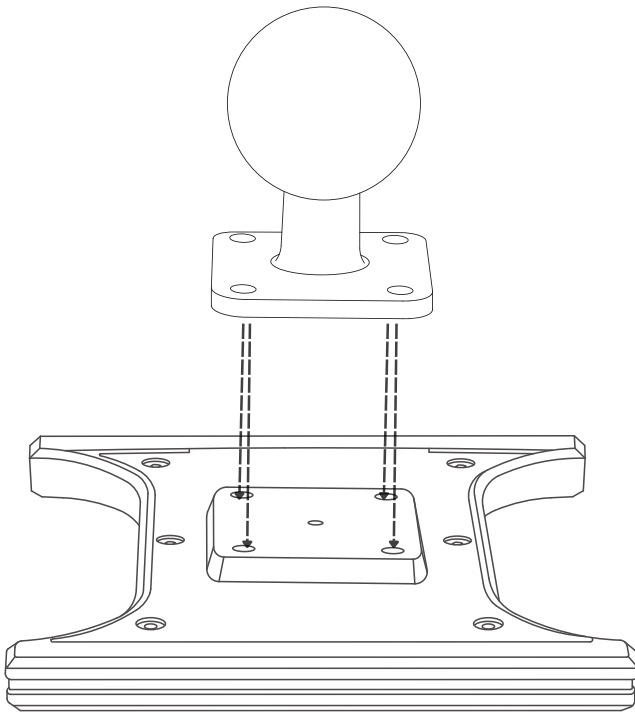
- 1 – Slim-Grip® Universal Tablet Holder Kit (TAB001-AMPS)
- 1 – Metal 4-Hole AMPS to 38mm Ball Adapter (APMAMPS38MM)
- 1 – Robust™ Series 3.5inch Shaft Arm (SPRM3835B)
- 1 – Robust™ Clamp Mount with 38mm Ball (CPM38B)

**IMPORTANT:** Clean the application surface and make sure it is free of dirt, dust, and grease before installing the mounting hardware.

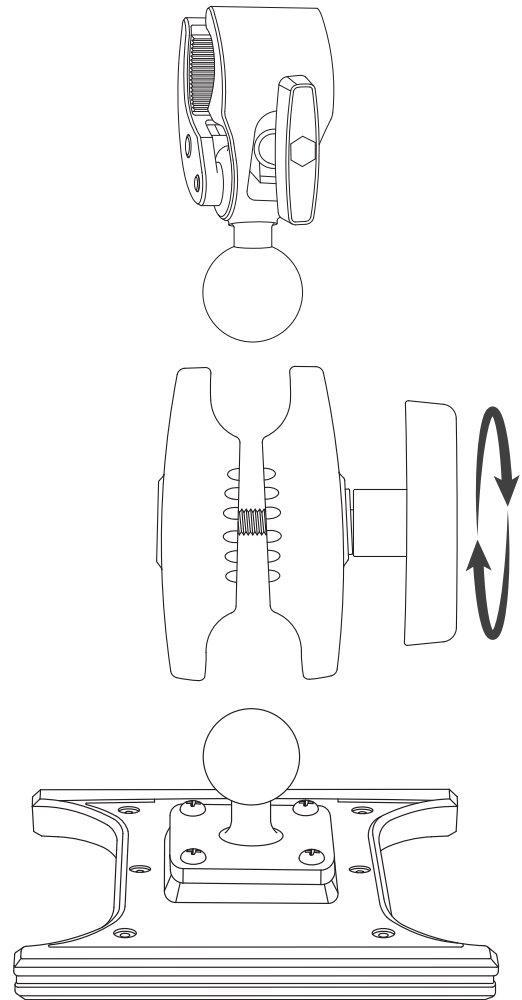
**Leg selection guide**

- Recommended legs to use based on tablet with or without a case
- For tablets size min **6" to 8.25"** max we recommend using 4 small legs
  - For tablets size min **6.75" to 9.12"** max we recommend using 2 small legs and 2 medium legs
  - For tablets size min **8.31" to 10.75"** max we recommend using 2 medium legs and 2 large legs
  - For tablets size min **9.12" to 11.50"** max we recommend using 4 large legs

**1** **Install the AMPS adapter onto the tablet holder**  
Align the adapter holes with the ones on the tablet holder. Then, securely attach the screws included in the tablet holder kit.



**2** **Assemble all components**  
Turn the shaft arm counterclockwise to loosen it. Next, attach the 38mm ball adapters to both ends. Finally, tighten the shaft to secure everything in place.



**WARNING**

CHOKING HAZARD - Keep out of reach from children under 8 yrs. as they can choke or suffocate on parts included with this system

**WARNING**

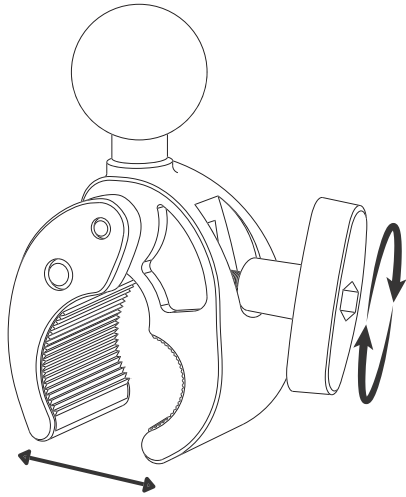
Arkon® is not responsible for any damages caused to your device or yourself due to the installation or use of this mount. Do not install Arkon® products near areas that interfere with operation of vehicles. Arkon® assumes no responsibility or liability for injury or death as a result of failure to install in a safe location. Arkon® is not responsible for any damages caused to vehicles, product, or people due to the installation or use of this product.

Continued on page 2



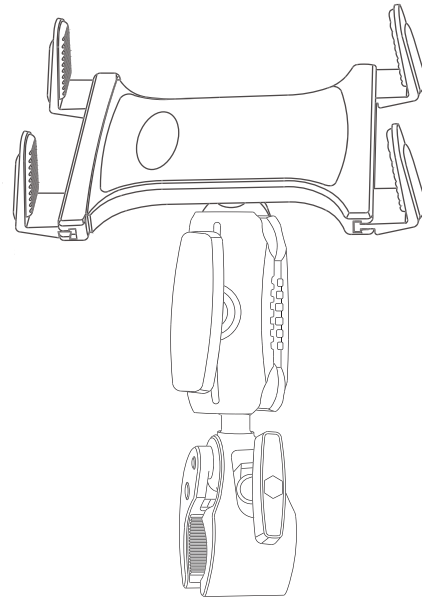
**3** Adjusting the Clamp Mount

To widen the clamp arms to the desired width, turn the knob counterclockwise. Attach to your desired surface and then tighten the knob clockwise to secure in place.



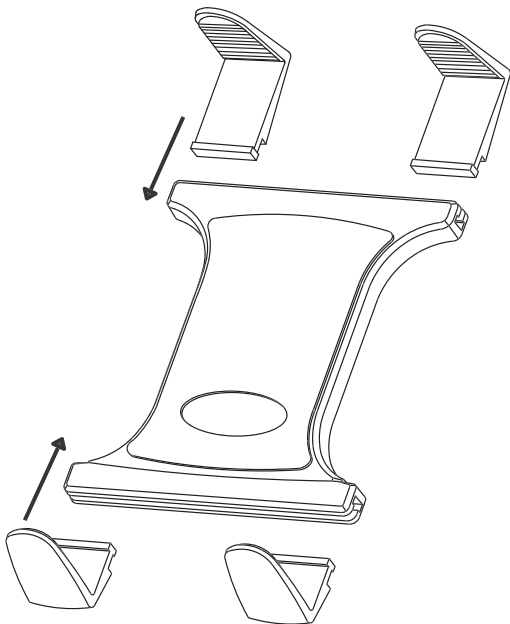
**4** Fully Assembled

Refer to the image below for the full assembled product.



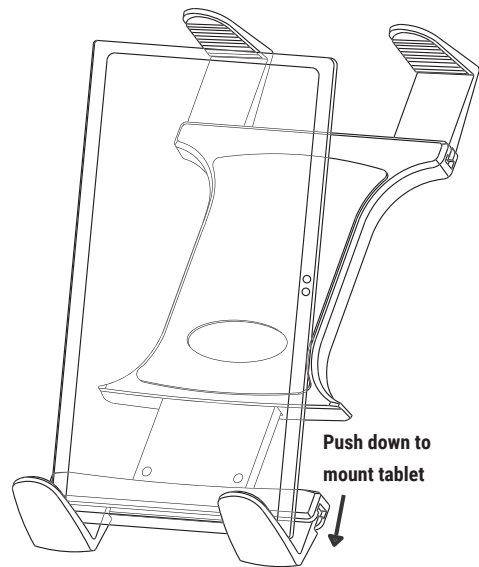
**5** Install the legs onto the holder

Place the support legs as recommended. Then, insert the support legs into the designated channels on the holder.



**6** Install tablet to ensure proper fit

Apply downward pressure with the tablet to extend the legs using the spring-loaded mechanism. Then, confirm that the tablet fits securely in the holder without any loose movement.



**WARNING**

CHOKING HAZARD - Keep out of reach from children under 8 yrs. as they can choke or suffocate on parts included with this system

**WARNING**

Arkon® is not responsible for any damages caused to your device or yourself due to the installation or use of this mount. Do not install Arkon® products near areas that interfere with operation of vehicles. Arkon® assumes no responsibility or liability for injury or death as a result of failure to install in a safe location. Arkon® is not responsible for any damages caused to vehicles, product, or people due to the installation or use of this product.

