

## Includes:

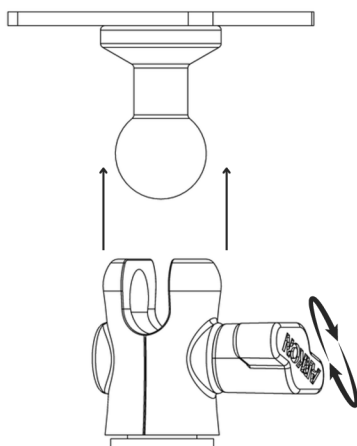
- 1 - Slim-Grip® Universal Tablet Holder Kit (TAB001-AMPS)
- 1 - Multi-Angle Mounting Pedestal (HD006NHB)
- 1 - RoadVise® Clamp Mount with 20mm Ball (CPM20)

**Important:** Clean the application surface and make sure it is free of dirt, dust, and grease before installation.

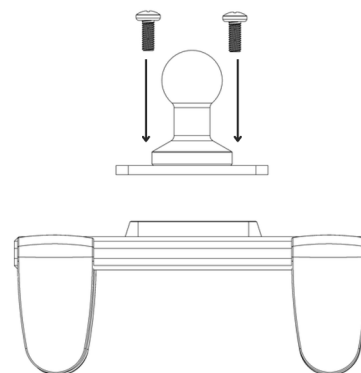
### Leg selection guide

- Recommended legs to use based on tablet with or without a case
- For tablets size min 6" to 8.25" max we recommend using 4 small legs
  - For tablets size min 6.75" to 9.12" max we recommend using 2 small legs and 2 medium legs
  - For tablets size min 8.31" to 10.75" max we recommend using 2 medium legs and 2 large legs
  - For tablets size min 9.12" to 11.50" max we recommend using 4 large legs

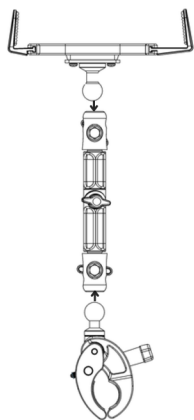
- 1** **Modifying the pedestal**  
Remove the AMPS adapter from the pedestal by turning the knob counterclockwise.



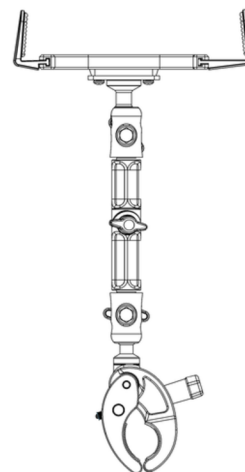
- 2** **Install the AMPS adapter plate to the tablet holder**  
Align the AMPS adapter on the back of the tablet holder. Then, insert the four mounting screws through the AMPS ball adapter plate and into the tablet holder. Finally, secure the screws tightly.



- 3** **Assemble the components**  
Turn each knob at each end counterclockwise to loosen them. Next, attach the 20mm ball adapters to both ends. Finally, tighten the knobs to secure everything in place.



- 4** **Fully Assembled**  
Refer to the image below for the full assembled product.



### WARNING

CHOKING HAZARD - Keep out of reach from children under 8 yrs. as they can choke or suffocate on parts included with this system

### WARNING

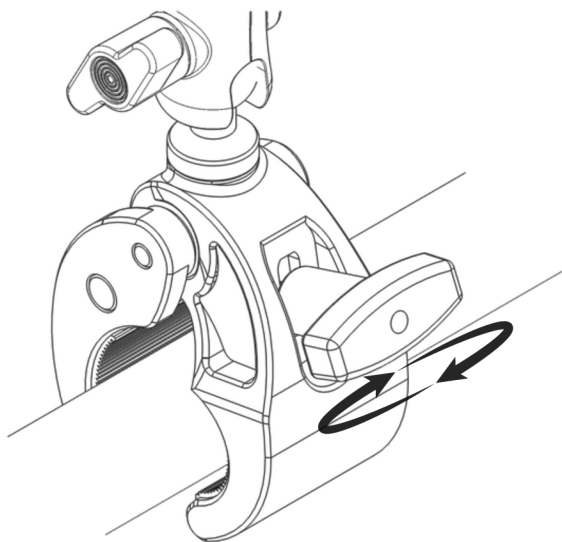
Arkon® is not responsible for any damages caused to your device or yourself due to the installation or use of this mount. Do not install Arkon® products near areas that interfere with operation of vehicles. Arkon® assumes no responsibility or liability for injury or death as a result of failure to install in a safe location. Arkon® is not responsible for any damages caused to vehicles, product, or people due to the installation or use of this product.

Continued on page 2



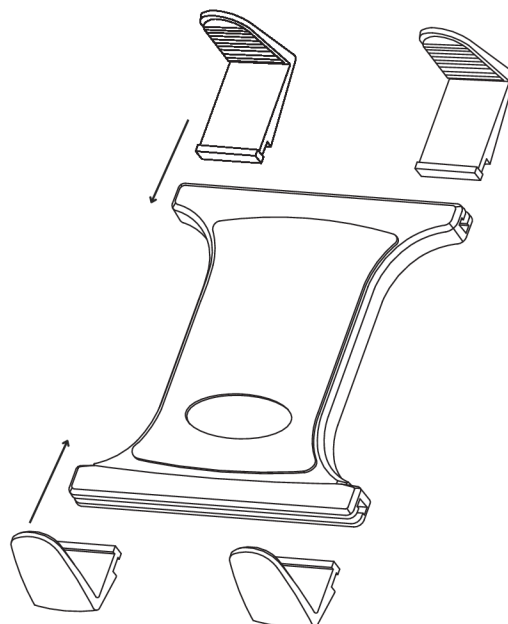
## 5 Adjusting the Clamp Mount

To widen the clamp arms to the desired width, turn the knob counterclockwise. Attach to your desired surface and then tighten the knob clockwise to secure in place.



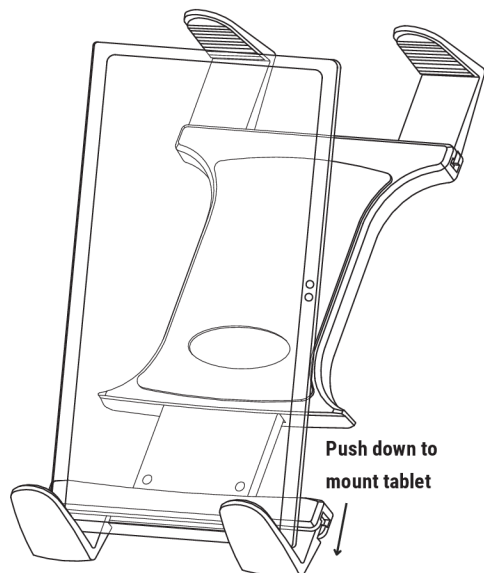
## 6 Install the legs onto the holder

Place the support legs as recommended. Then, insert the support legs into the designated channels on the holder.



## 7 Install tablet to ensure proper fit

Apply downward pressure with the tablet to extend the legs using the spring-loaded mechanism. Then, confirm that the tablet fits securely in the holder without any loose movement.



### WARNING

CHOKING HAZARD - Keep out of reach from children under 8 yrs. as they can choke or suffocate on parts included with this system

### WARNING

Arkon® is not responsible for any damages caused to your device or yourself due to the installation or use of this mount. Do not install Arkon® products near areas that interfere with operation of vehicles. Arkon® assumes no responsibility or liability for injury or death as a result of failure to install in a safe location. Arkon® is not responsible for any damages caused to vehicles, product, or people due to the installation or use of this product.

