



TAB003



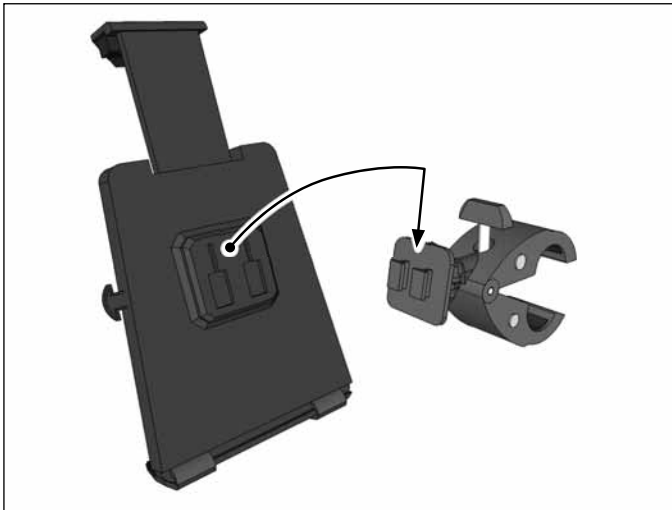
GN031-SBH-B

Package Contents:

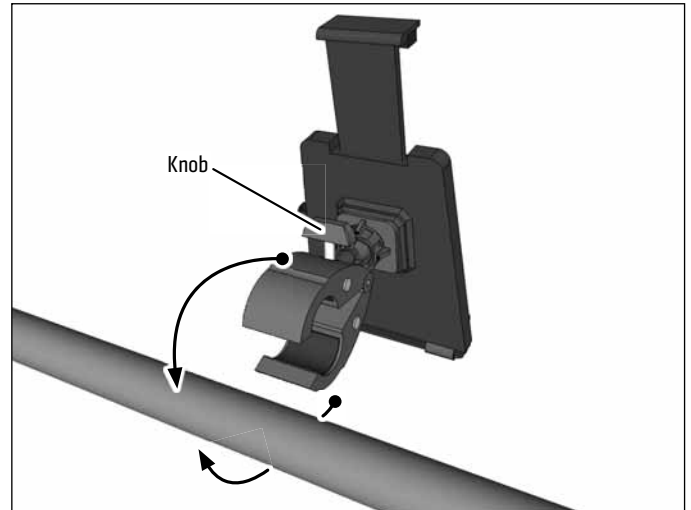
- (1) TAB003 – Universal Push-Button Tablet Holder
- (1) GN031-SBH-B – Clamp Post Mount with Dual-T Head

Compatibility: Fits tablets measuring 9-12 inches screen size.

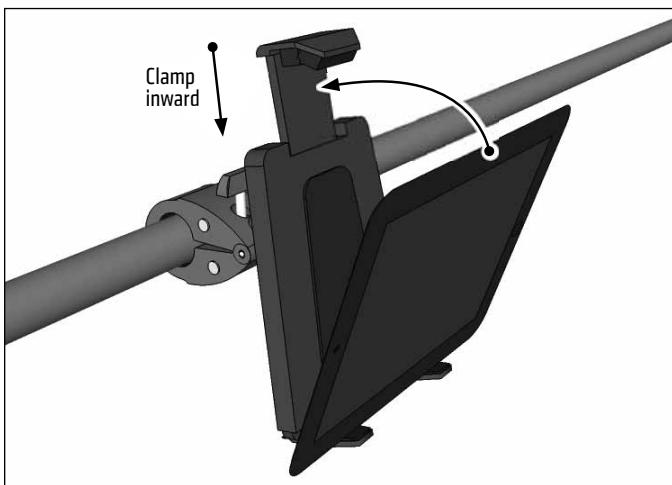
- 1** Attach holder by inserting the mount's Dual T-Tabs into the holder's Dual T-Slots.



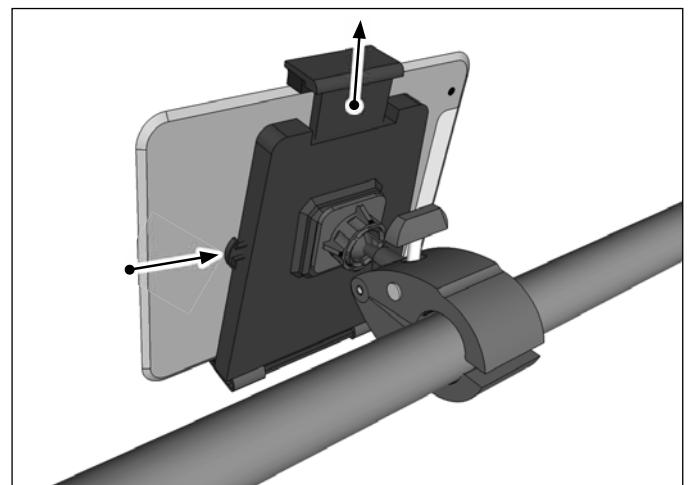
- 2** Unscrew mount's knob to loosen grip. Place the mount around pole as desired, then retighten knob to secure.



- 3** Place the tablet into the holder with the device sitting on support legs. Clamp the grip arms inward to secure the device in the holder.



- 4** Press release button to open mount arms.



! Safety Precautions
 Arkon is not responsible for any damages caused to your device or yourself due to the installation or use of this mount.

ARKON
RESOURCES INC.

The Mobile Mounting Specialists™

Consumer Hotline:
 USA (800) 841-0884
 INT'L (626) 254-9005
 Monday - Friday 9 am - 5 pm, PST

www.arkon.com
 Arcadia, CA 91006 USA
 Designed in USA | Made in Taiwan
 © Copyright 2017 Arkon Resources, Inc.