

Includes:

- 1 - Slim-Grip® Tablet Holder with Support Legs (TAB001)
- 1 - Robust™ Series 3.75 inch Shaft Arm (SP-RM250)
- 1 - 4-Hole AMPS to 25mm Ball Adapter (APAMPS25MM)
- 1 - 25mm Ball to Dual T-Tab Mounting Pattern Adapter (APRM2T)

Important: Clean the application surface and make sure it is free of dirt, dust, and grease before installation.

Please note the TAB001 packaging includes:

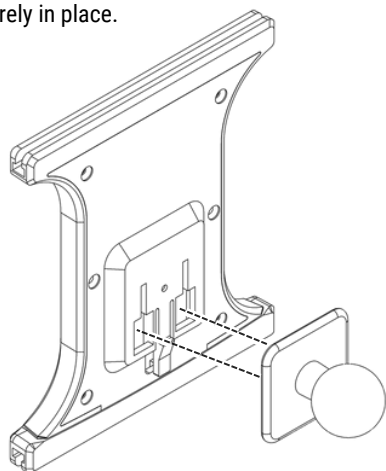
- 5 - Support Stoppers (SP-TABS5PK) - Optional
- 10 - Support Legs (SPTAB1FT)

Leg selection guide

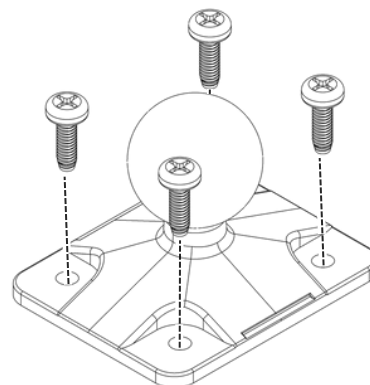
Recommended legs to use based on tablet size with or without a case

- For tablets size **min 6.56" to max 8.94"** we recommend using 2 small legs
- For tablets size **min 7.03" to 9.50" max** we recommend using 1 long leg and 1 small leg
- For tablets size **min 9.50"** we recommend using 2 long legs

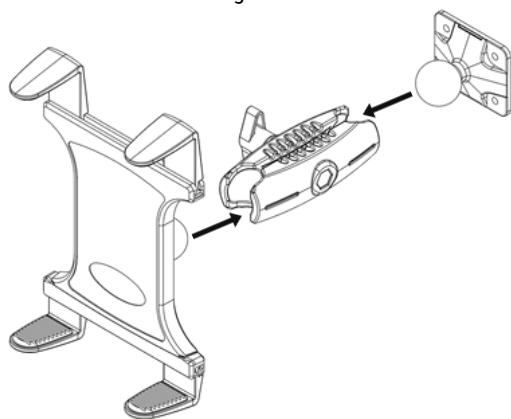
- 1** **Install the Dual T-Tab adapter into the tablet holder**
Insert the Dual T-Tab adapter into the slot located behind the holder. Then, slide the adapter upwards to ensure it is securely in place.



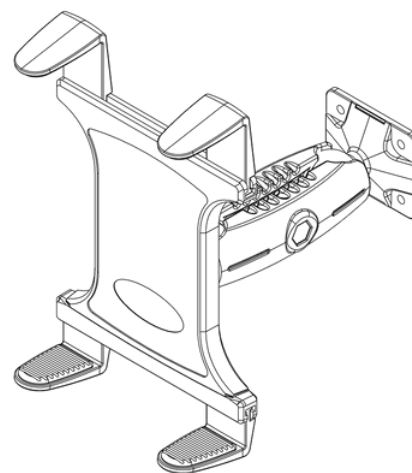
- 2** **Mount Installation**
To secure the pedestal to the mounting surface, align the screws (**not included**) with the AMPS adapter. If necessary, detach the shaft from the adapter to streamline the installation process.



- 3** **Assemble the components**
Locate the shaft arm and turn to the adjustment knob counterclockwise to expand. Insert the 25mm ball ends into the shaft. Turn clockwise to tighten.



- 4** **Fully assembled**
Refer to the image below for the full assembled product.



WARNING

CHOKING HAZARD - Keep out of reach from children under 8 yrs. as they can choke or suffocate on parts included with this system

WARNING

Arkon® is not responsible for any damages caused to your device or yourself due to the installation or use of this mount. Do not install Arkon® products near areas that interfere with operation of vehicles. Arkon® assumes no responsibility or liability for injury or death as a result of failure to install in a safe location. Arkon® is not responsible for any damages caused to vehicles, product, or people due to the installation or use of this product.

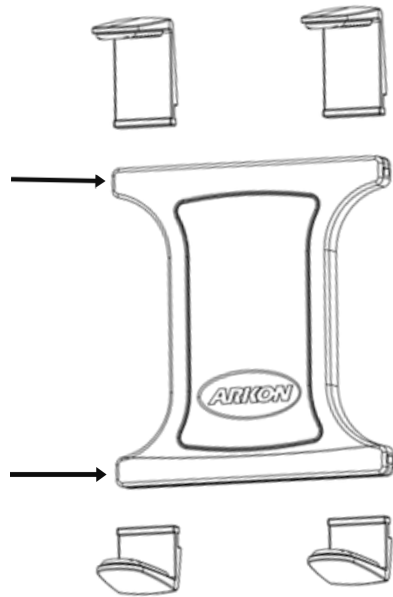
Continued on page 2



5

Installing the legs to the holder

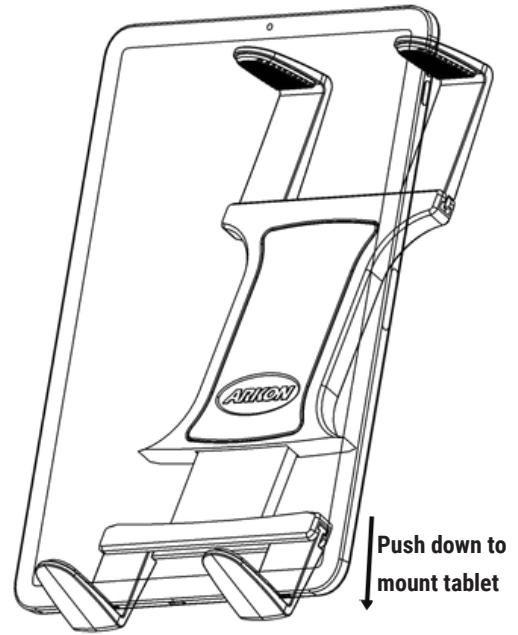
Install the support legs required based on the recommendations listed above. Slide the support legs into the holder's support leg channels.



6

Extend the spring-loaded mechanism

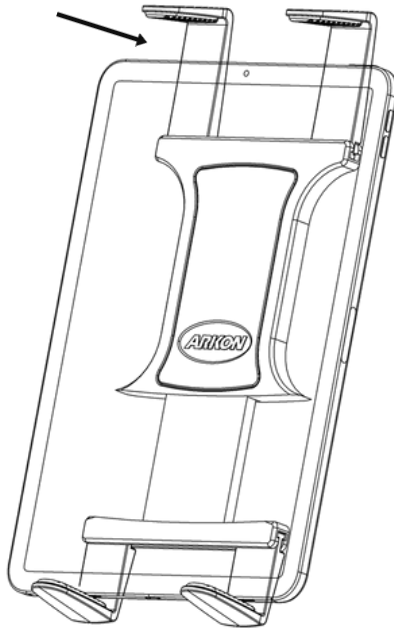
To extend the legs, insert one end of the tablet into the bottom support legs.



7

Install the tablet

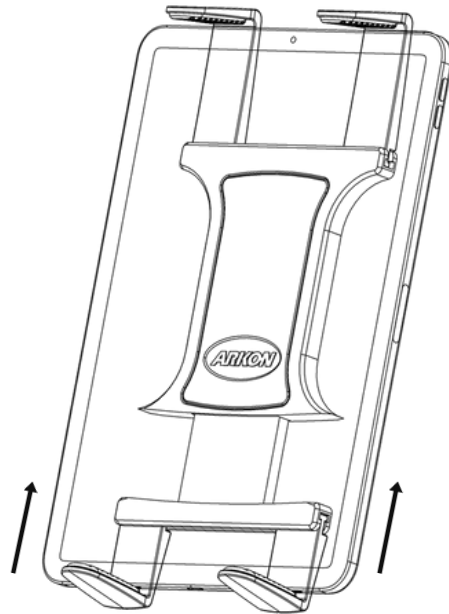
With the holder's spring-loaded support legs expanded, lay the tablet flat on the holder.



8

Release the tablet to secure

Gently release the tablet into the holder, allowing the bottom spring-loaded support legs to secure the tablet.



WARNING

CHOKING HAZARD - Keep out of reach from children under 8 yrs. as they can choke or suffocate on parts included with this system

WARNING

Arkon® is not responsible for any damages caused to your device or yourself due to the installation or use of this mount. Do not install Arkon® products near areas that interfere with operation of vehicles. Arkon® assumes no responsibility or liability for injury or death as a result of failure to install in a safe location. Arkon® is not responsible for any damages caused to vehicles, product, or people due to the installation or use of this product.

