



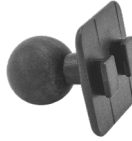
TAB001



SP-RM250



SP142025MM



APRM2T

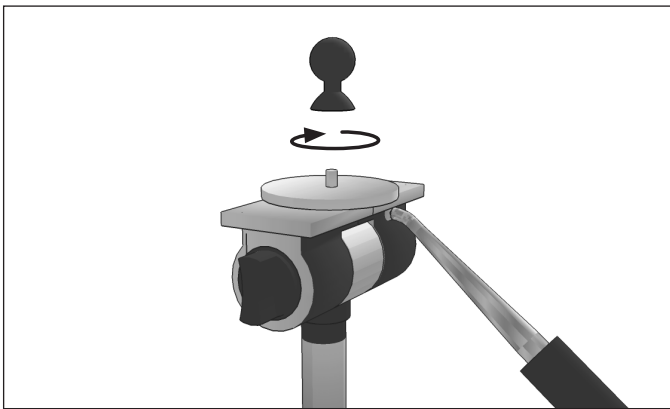
Package Contents:

- (1) TAB001 – Slim-Grip® Universal Tablet Holder
- (1) SP-RM250 – Robust Series Mount Shaft
- (1) APRM2T – 25mm Ball to Dual T-Tab Adapter
- (1) SP142025MM – 1/4"-20 to 25mm Ball Adapter

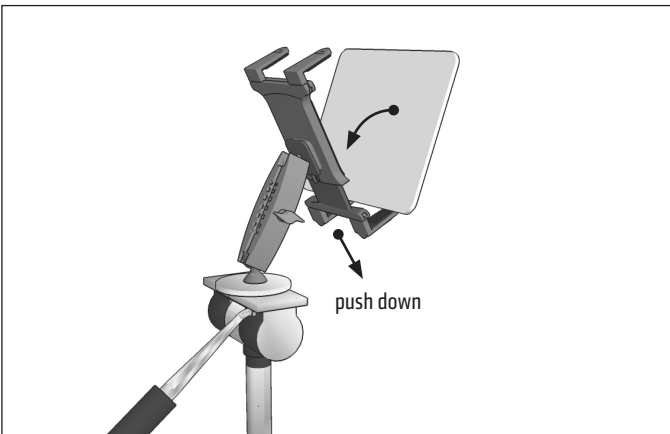
Device Compatibility:

Fits any 7" - 18.4" tablet with or without case.

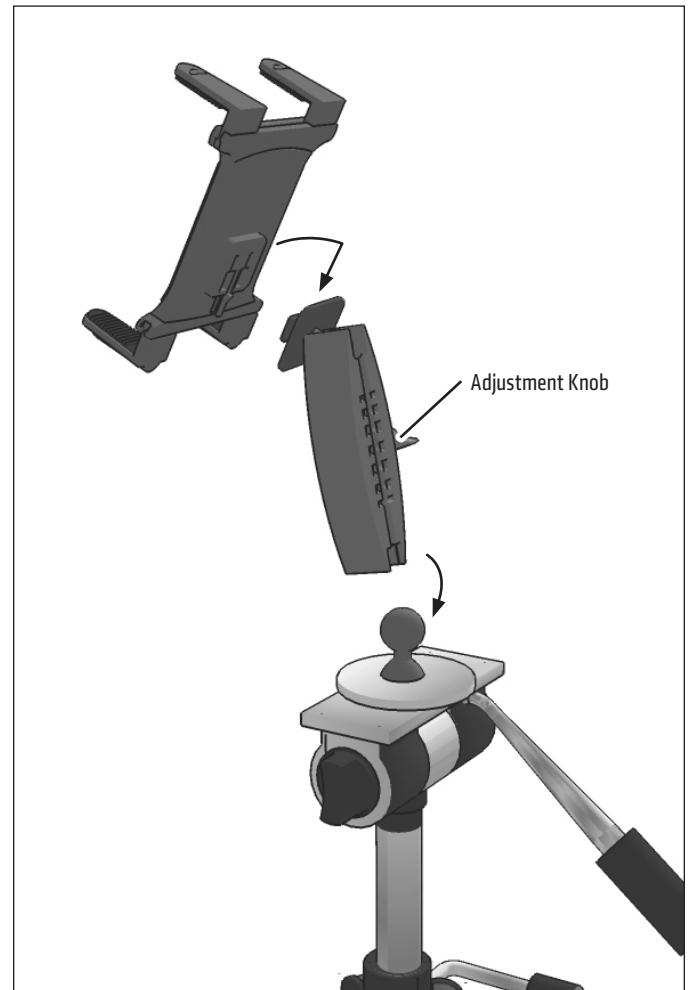
- 1 Screw ball adapter onto tripod.



- 3 Insert tablet into holder by pushing down on the bottom spring-loaded support legs with the tablet. Slide the top of the tablet under the top support legs until it fits securely in the holder.



- 2 Loosen adjustment knob, attach mount to ball adapter, retighten knob, and set mount at desired angle. Attach tablet holder by sliding the Dual T-Tabs of the pedestal into the Dual T-Slots of the holder and pushing down to lock.



! Safety Precautions

Arkon is not responsible for any damages caused to your device or yourself due to the installation or use of this mount.

ARKON® MOUNTS

Consumer Hotline:
 USA (800) 841-0884
 INT'L (626) 254-9005
 Monday - Friday 9am - 5pm, PST

www.arkon.com
 Arcadia, CA 91006 USA
 Designed in USA | Made in USA

© Copyright 2022 Arkon Resources, Inc.