



Package Contents:

- (1) TAB001 – Slim-Grip® Universal Tablet Holder
- (1) SPHD8BASE – Base and Allen Wrench
- (1) SPHD8L29 – Extra Long Shaft
- (1) AP20MM2T – Metal 20mm Ball to Dual T-Tab Adapter

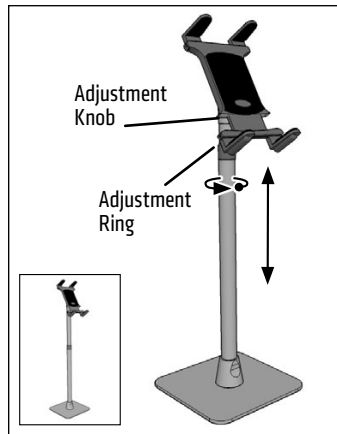
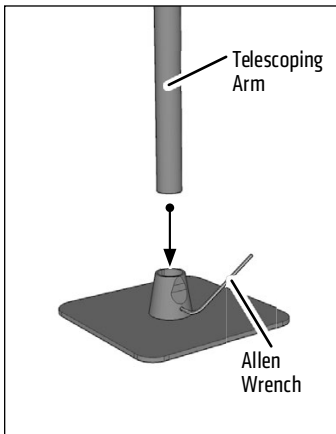
Tablet stand is ideal for live video and streaming with iPad or tablet on Instagram, Facebook Live, and other broadcasting apps.

The Slim-Grip® universal tablet holder fits all tablets with 7"-18.4" screen size.

Ten support legs (4 short, 2 medium and 4 longer versions) are included that can be customized for optimum fit of your iPad or tablet.

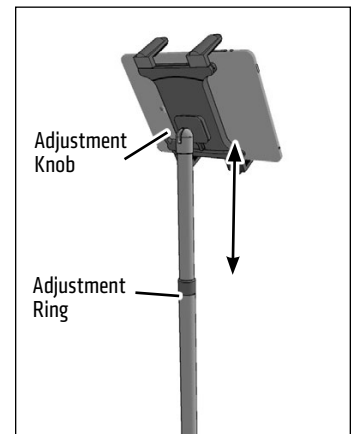
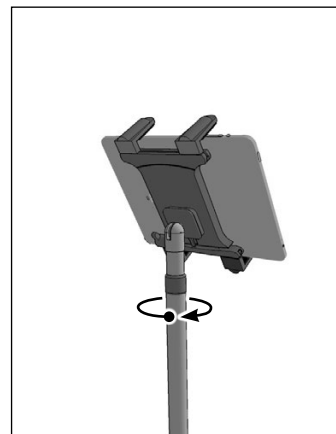
Connecting Telescoping Arm:

Insert telescoping arm tube into weighted base. Tighten base lock to secure with included allen wrench. Adjust the height and angle of the pedestal by loosening the adjustment ring and the adjustment knob. Retighten to set.



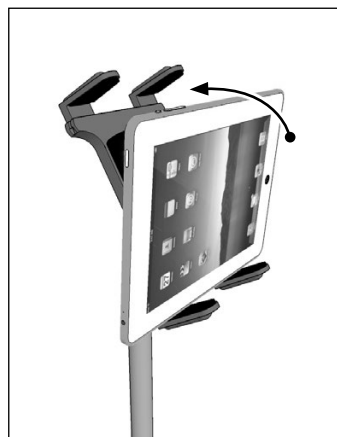
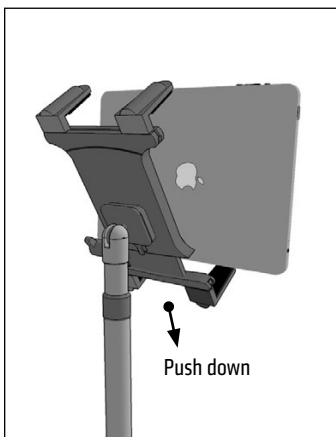
Adjusting Weighted Base:

Adjust the height and angle of the mount by loosening the adjustment ring and the adjustment knob. Retighten to set.



Inserting Tablet:

Insert tablet into holder by pushing down on the bottom spring-loaded support legs with the device. Slide the top of the tablet under the top support legs until it fits snugly in the holder.



Safety Precautions

Arkon is not responsible for any damages caused to your devices or yourself due to the installation or use of this tablet stand.

Failing to properly secure the base to the shaft could cause bodily injury or harm. Always use two hands (one on shaft, and one on base) when carrying.

ARKON MOUNTS

Consumer Hotline:
 USA (800) 841-0884
 INT'L (626) 254-9005
 Monday - Friday 9 am - 5 pm, PST

www.arkon.com
 Arcadia, CA 91006 USA
 Designed in USA | Made in Taiwan
 © Copyright 2019 Arkon Resources, Inc.