

Telescoping pole extends upward from 17 inches to 29 inches.

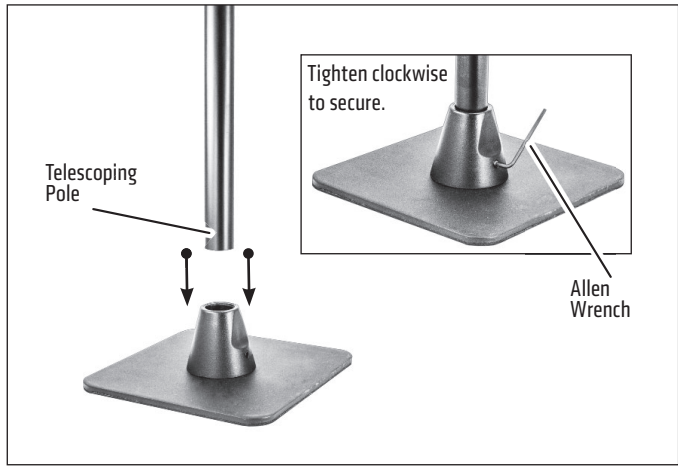
Compatibility:
Fits tablets 7" -18.4" screen size

IMPORTANT:
Do not overtighten rings. Overtightening may damage threads on holder and also make it difficult to adjust tablet holders.

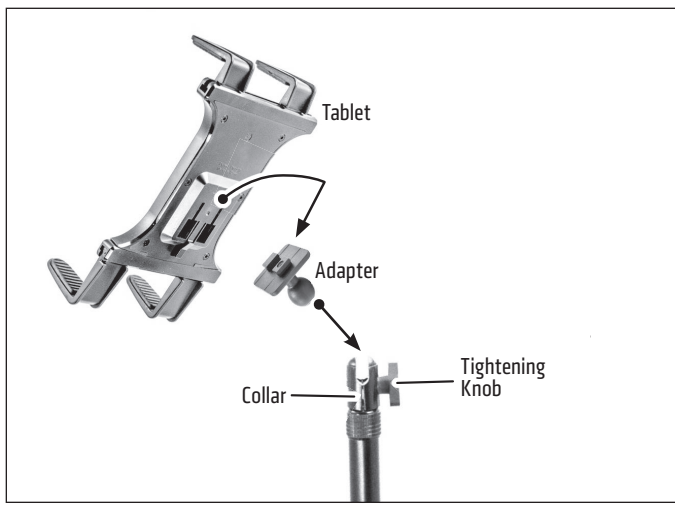
1 Prepare each of the tablet holders for use by using a combination of the included support legs to fit your device. Slide support legs onto the body of each tablet holder.



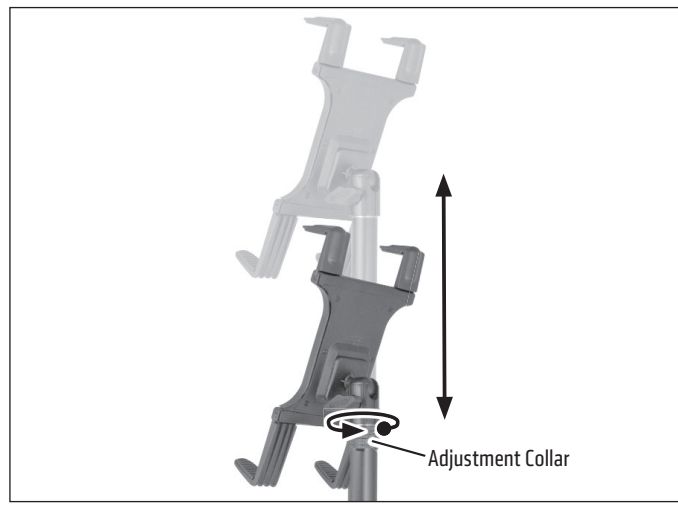
2 Insert pole into base. **PLEASE NOTE—this will be a tight fit and will require some force.**



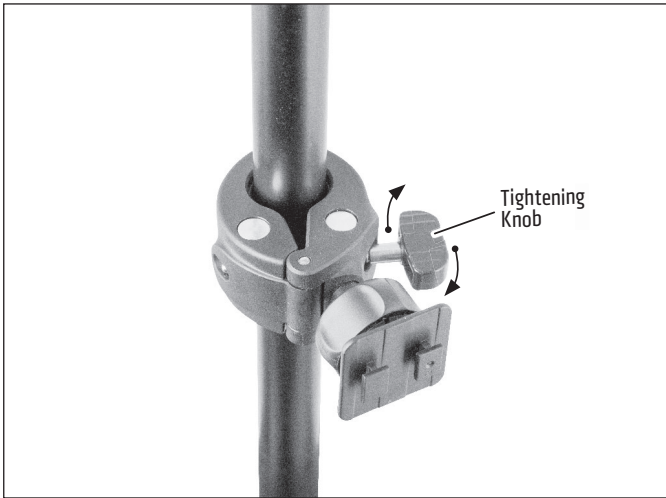
3 Attach adapter by loosening the collar at the top of the pole until the adapter ball fits into the collar. Tighten knob clockwise to secure. Attach tablet holder by inserting the adapter's Dual T-Tabs into the holder's Dual T-Slots.



4 Adjust the height of the pole by loosening the adjustment collar counterclockwise. Tighten clockwise to set height.



- 5 Unscrew mount's tightening knob to loosen grip. Place mount around pole and tighten knob to secure.



- 6 Attach tablet holder to clamp post mount by inserting the mount's Dual T-Tabs into the holder's Dual T-Slots.



- 7 Push down on lower legs of spring-loaded holder to insert tablet.



Safety Precautions

Always use two hands (one on pole, and one on base) when carrying. Failure to properly secure the pole to the base could cause bodily injury or harm. The tablet holders are designed for use with tablet devices. If using heavier devices, be sure to add a counterbalance in order to prevent the stand from falling over. Arkon Resources, Inc. is not responsible for any damages caused to your device or yourself due to the installation or use of this mount.

ARKON® MOUNTS

Consumer Hotline:

USA (800) 841-0884

INT'L (626) 254-9005

Monday - Friday 9 am - 5 pm, PST

www.arkon.com

Arcadia, CA 91006 USA

Designed in USA | Made in Taiwan

© Copyright 2021 Arkon Resources, Inc.

U.S. Pat. No. 6,585,212