

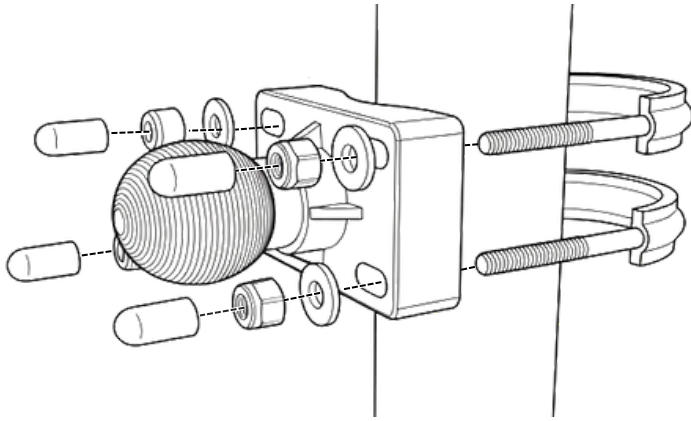
Included Components:

- **U-Bolt Round Bar Mount**
 - 1/4"-20 U-Bolt (x2) (*varies on the selected product model number*)
 - Steel Nylon-Insert Locknut, 1/4"-20 (x4)
 - Bar Mount Holder (x1)
 - Round Caps for 1/4" (x4)
 - Sleeves for 1/4"-20 U-Bolt, 1.5 (x2)
 - Black Zinc Plated Washer (x4)
- **AMPS Adapter to Aluminium 38mm Ball**
- **5-inch Metal Shaft Arm**
- **Large Holster Holder with Hardware**

Important: Clean the mounting surface before installation. Make sure it is free of dirt, dust, and grease.

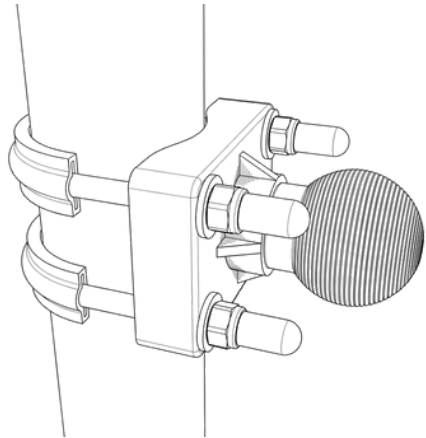
Assemble the U-Bolt Base

Align the mounting hardware onto the U-bolt and assemble the base onto a compatible tube or pole.



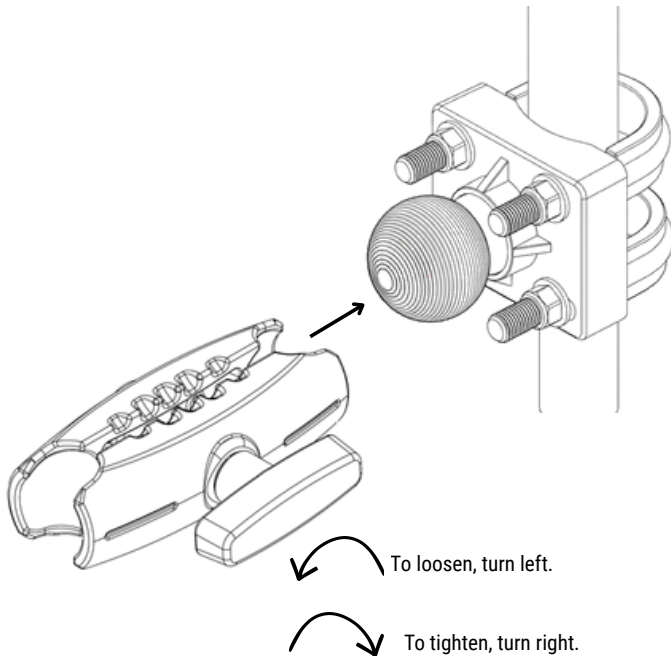
Base Assembly

Refer to the image below for the completed assembly mounted on a pole.



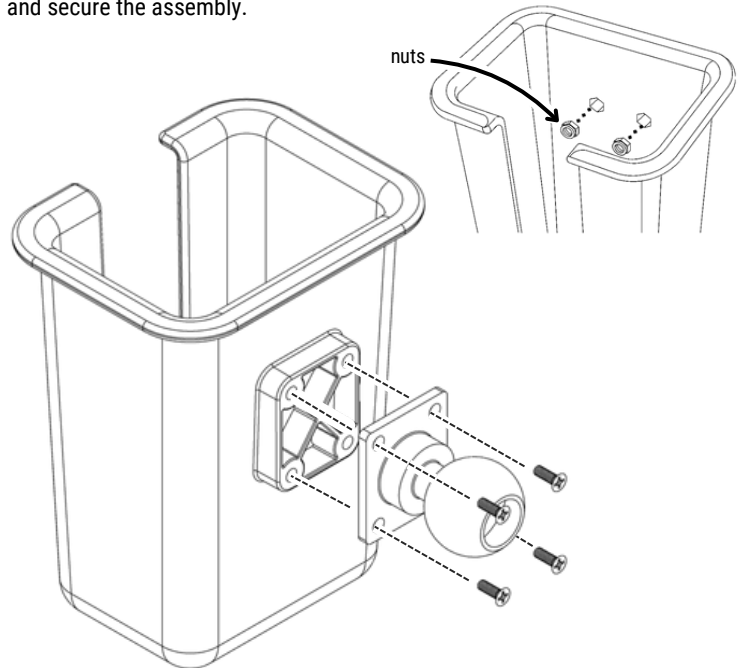
Attach the Shaft Arm

Attach the shaft arm to the mounted base and tighten the adjustment knob to secure it in place.



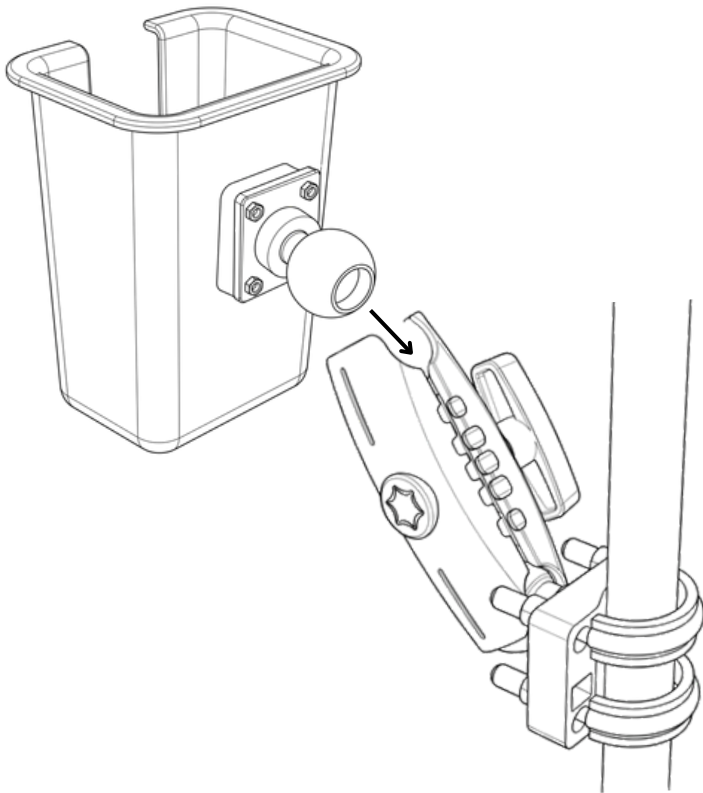
Attach the Ball Adapter to the Holster

Align the AMPS adapter on the back of the holster holder, insert the nuts into the holder, then use the provided hardware and a screwdriver to tighten and secure the assembly.



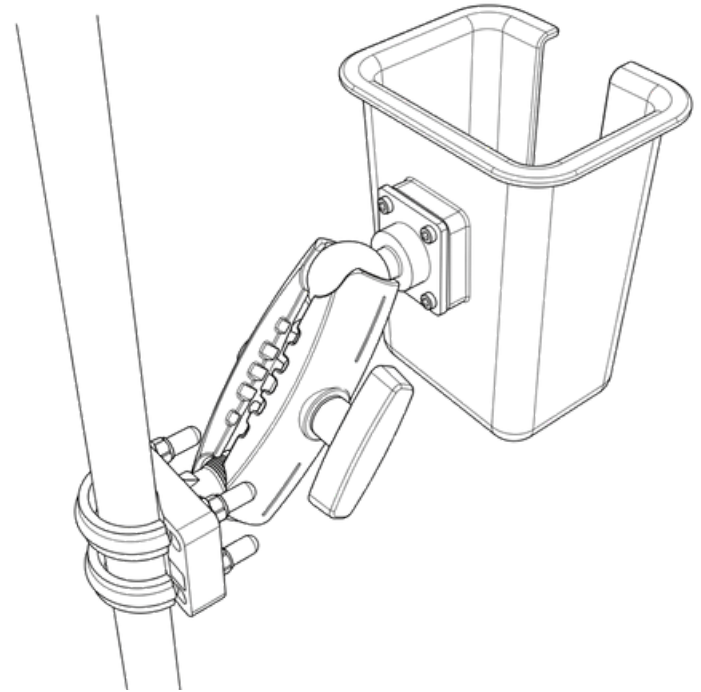
Attach the Holster

Attach the holster with adapter to the shaft arm and tighten securely to complete the assembly.



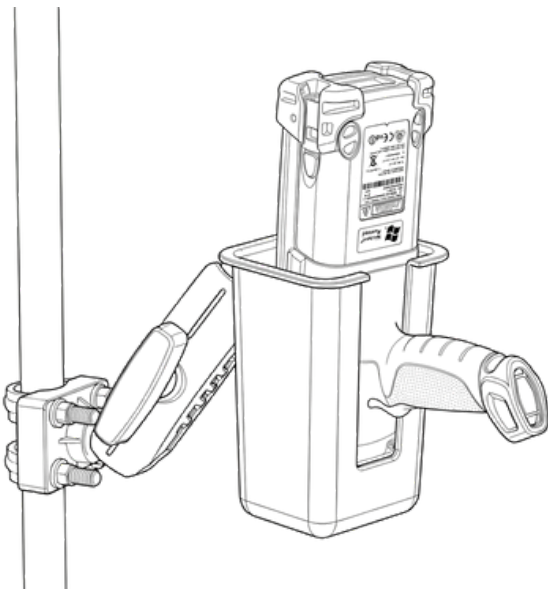
Completed Assembly

The mount is fully assembled and ready for use, as shown below.



Install the Scanner

Slide the scanner gun into the holster until it rests securely in place.



WARNING
CHOKING HAZARD - Keep out of reach from children under 8 yrs. as they can choke or suffocate on parts included with this system

WARNING
Arkon® is not responsible for any damages caused to your device or yourself due to the installation or use of this mount. Do not install Arkon® products near areas that interfere with operation of vehicles. Arkon® assumes no responsibility or liability for injury or death as a result of failure to install in a safe location. Arkon® is not responsible for any damages caused to vehicles, product, or people due to the installation or use of this product.

