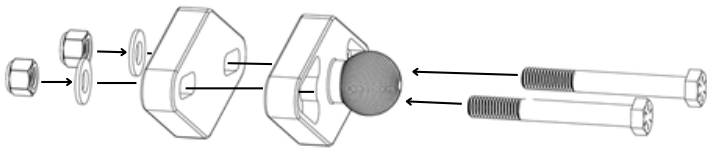


Included Components:

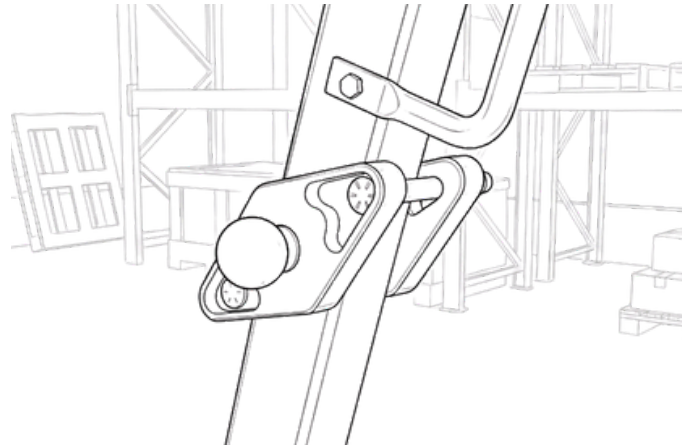
- Forklift Guard Rail Mount
 - Black Zinc Plated Washer (x2)
 - Steel Screw (x2)
 - Full Threaded Locknut (x2)
- AMPS Adapter with 38mm Ball
- 5-inch Metal Shaft Arm **OR** 8.5-inch Metal Shaft Arm
(varies on the selected product part number)

Important: Clean the mounting surface before installation. Make sure it is free of dirt, dust, and grease.

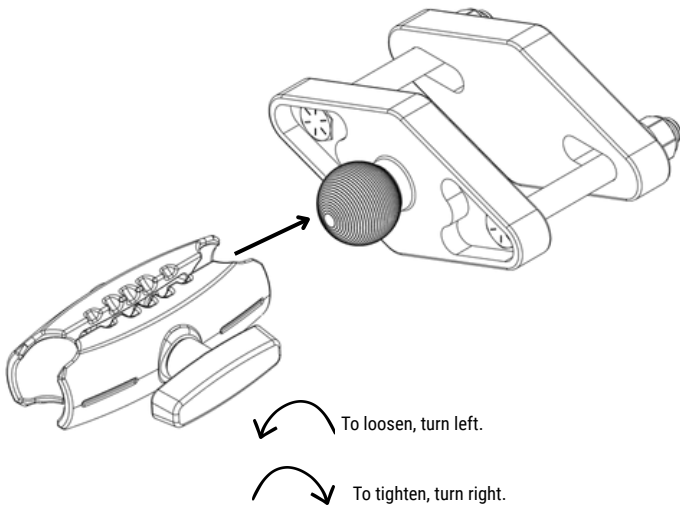
1 Align the back and front plates on the forklift guard, insert the screws, and secure with the washers and locknuts. Tighten firmly.



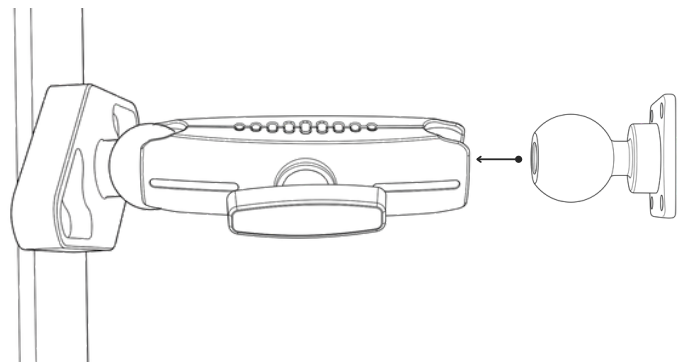
2 Refer to the image below for the completed assembly mounted on a forklift.



3 Attach a compatible shaft arm to the mounted base and tighten the adjustment knob to secure it in place.



4 Attach the adapter to the shaft arm and tighten securely to complete the assembly. Then install any device holder with a compatible 4-hole AMPS pattern onto the adapter.



WARNING
CHOKING HAZARD - Keep out of reach from children under 8 yrs. as they can choke or suffocate on parts included with this system

WARNING
Arkon® is not responsible for any damages caused to your device or yourself due to the installation or use of this mount. Do not install Arkon® products near areas that interfere with operation of vehicles. Arkon® assumes no responsibility or liability for injury or death as a result of failure to install in a safe location. Arkon® is not responsible for any damages caused to vehicles, product, or people due to the installation or use of this product.

