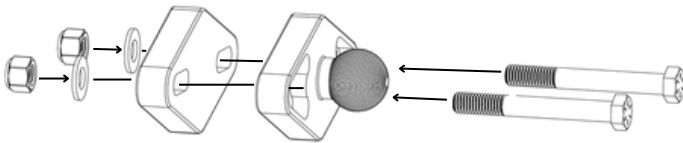


Included Components:

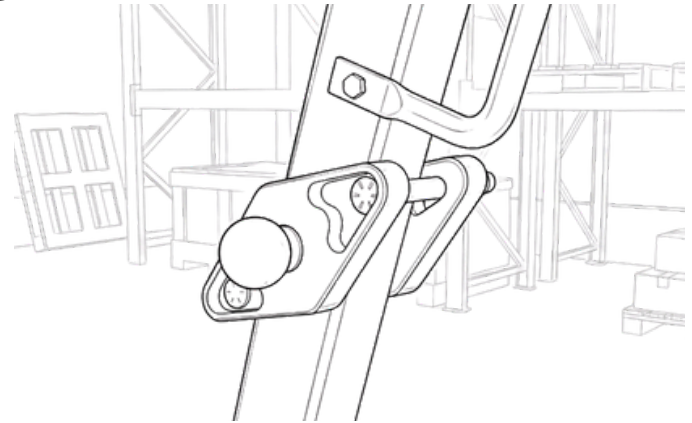
- **Forklift Guard Rail Mount**
 - Black Zinc Plated Washer (x2)
 - Steel Screw (x2)
 - Full Threaded Locknut (x2)
- **LockVise™ Metal XL Locking Holder**
 - Foam pads (x2)
 - Locking keys set
 - M4 12mm screws (x4), M4 hex nuts (x4), M4 locknuts (x4), T20 Torx bit, knob
- **AMPS Adapter with Aluminium 38mm Ball**
- **5-inch Metal Shaft Arm**

Important: Clean the mounting surface before installation. Make sure it is free of dirt, dust, and grease.

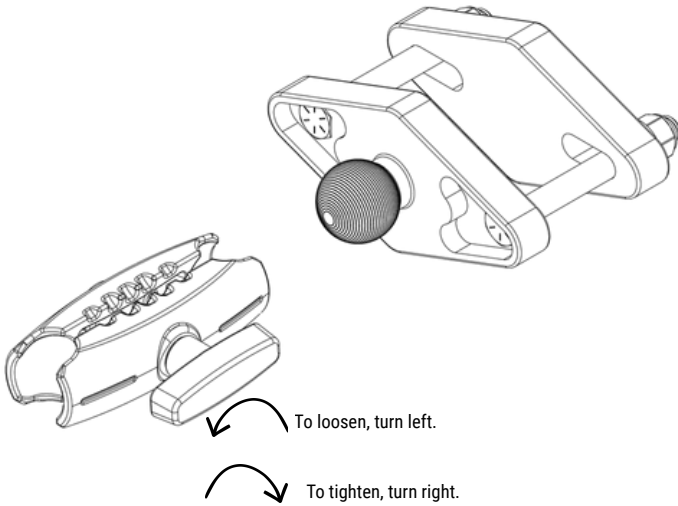
1 Align the back and front plates on the forklift guard, insert the screws, and secure with the washers and locknuts. Tighten firmly.



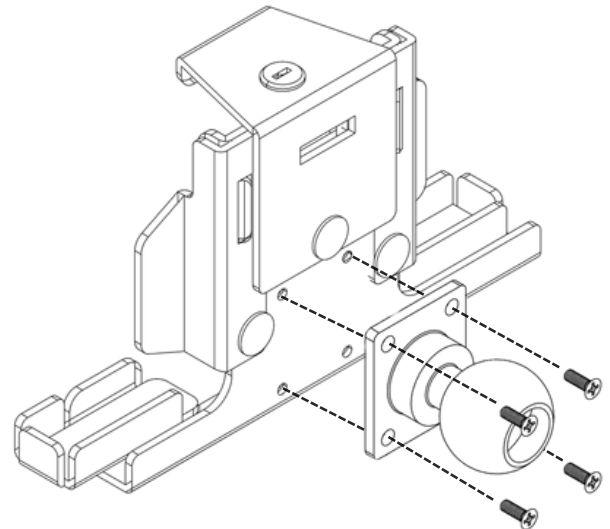
2 Refer to the image below for the completed assembly mounted on a forklift.



3 Attach a compatible shaft arm to the mounted base and tighten the adjustment knob to secure it in place.



4 Attach the AMPS adapter plate to the device holder using four screws and tighten securely.



WARNING

CHOKING HAZARD - Keep out of reach from children under 8 yrs. as they can choke or suffocate on parts included with this system

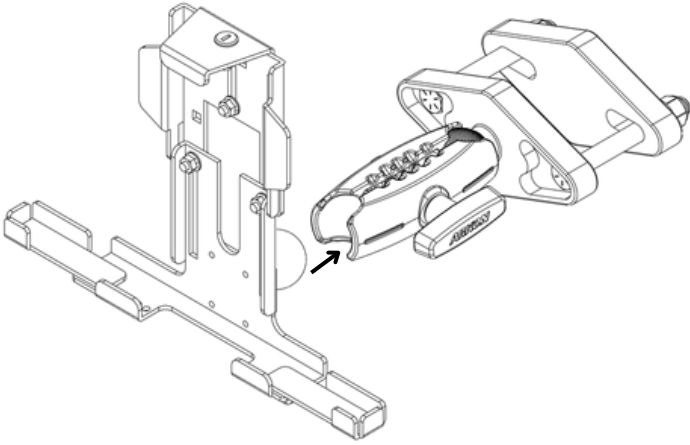
WARNING

Arkon® is not responsible for any damages caused to your device or yourself due to the installation or use of this mount. Do not install Arkon® products near areas that interfere with operation of vehicles. Arkon® assumes no responsibility or liability for injury or death as a result of failure to install in a safe location. Arkon® is not responsible for any damages caused to vehicles, product, or people due to the installation or use of this product.

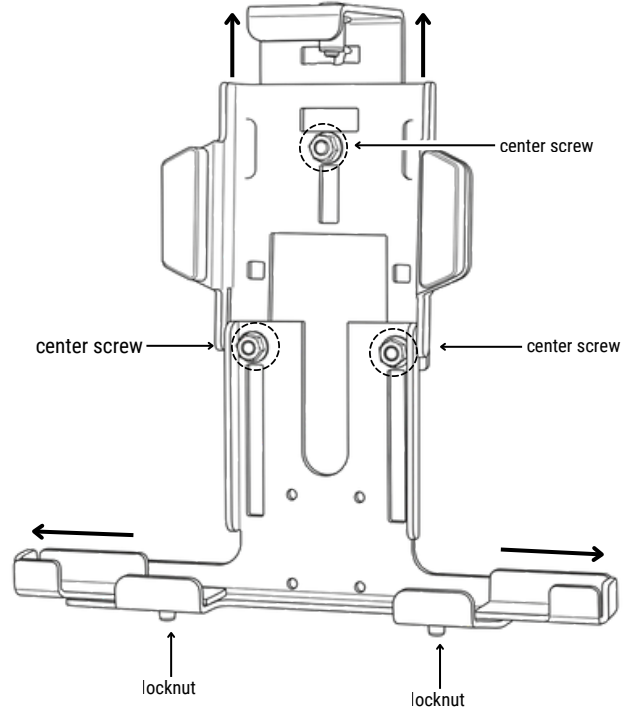


XMS™ Forklift Mount with LockVise™ Metal XL Locking Holder

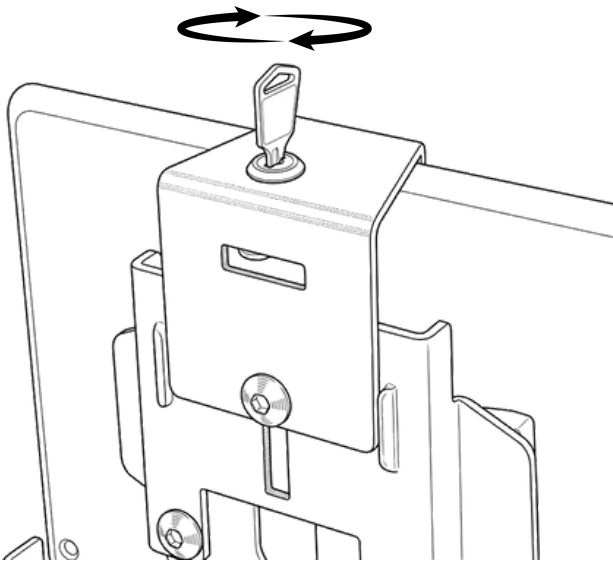
- 5** Attach the adapter with device holder to the shaft arm and tighten securely to complete the assembly.



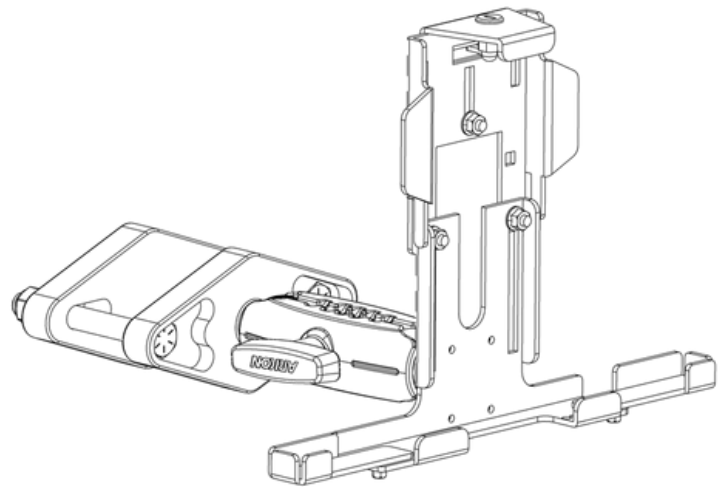
- 6** Adjust the tablet holder size by loosening the bottom side screws for width and the rear center screws for height. Set to fit your device, then retighten all screws to secure.



- 7** Secure the tablet by pressing down the top locking arm, then use the included keys to lock it in place.



- 8** The mount has been completely assembled and is now ready for use, as illustrated below.



WARNING

CHOKING HAZARD - Keep out of reach from children under 8 yrs. as they can choke or suffocate on parts included with this system

WARNING

Arkon® is not responsible for any damages caused to your device or yourself due to the installation or use of this mount. Do not install Arkon® products near areas that interfere with operation of vehicles. Arkon® assumes no responsibility or liability for injury or death as a result of failure to install in a safe location. Arkon® is not responsible for any damages caused to vehicles, product, or people due to the installation or use of this product.

ARKON MOUNTS

USA (800) 841-0884
INT'L (626) 254-9005
Monday - Friday 9 am - 5 pm PST

arkon.com
Designed in USA
©Arkon Resources, Inc.

Need assistance?
Scan to email our
Arkon® customer
service team.

