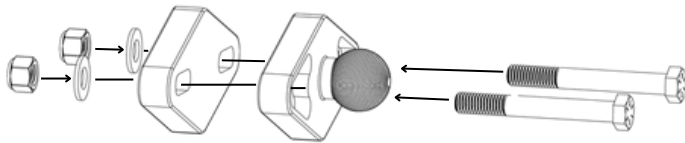


Included Components:

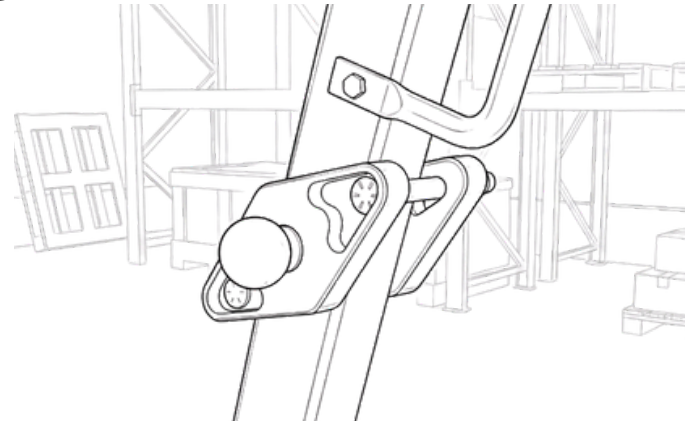
- **Forklift Guard Rail Mount**
 - Black Zinc Plated Washer (x2)
 - Steel Screw (x2)
 - Full Threaded Locknut (x2)
- **LockVise™ Locking Holder**
 - Foam pads (x2)
 - Locking keys set
 - 8-32 UNC screws (x4), 3/32 allen key socket
- **AMPS Adapter with Aluminium 38mm Ball**
- **5-inch Metal Shaft Arm**

Important: Clean the mounting surface before installation. Make sure it is free of dirt, dust, and grease.

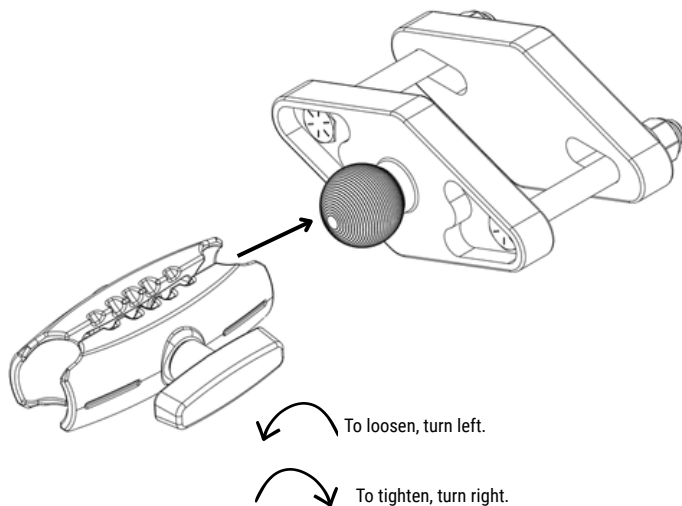
1 Align the back and front plates on the forklift guard, insert the screws, and secure with the washers and locknuts. Tighten firmly.



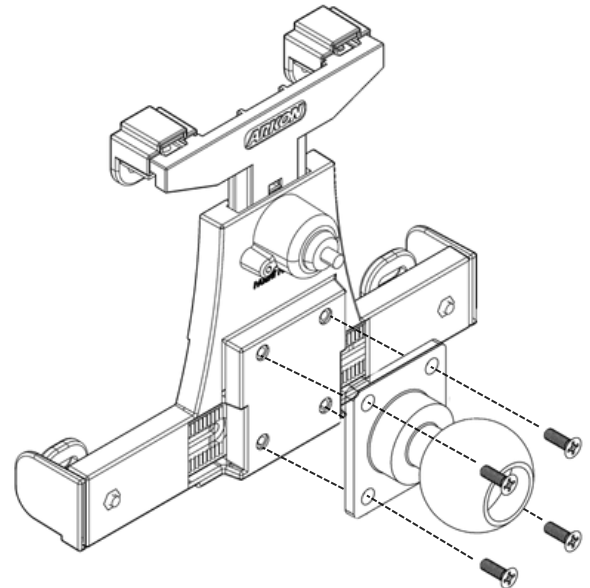
2 Refer to the image below for the completed assembly mounted on a forklift.



3 Attach a compatible shaft arm to the mounted base and tighten the adjustment knob to secure it in place.



4 Attach the AMPS adapter plate to the device holder using four screws and tighten securely.



WARNING

CHOKING HAZARD - Keep out of reach from children under 8 yrs. as they can choke or suffocate on parts included with this system

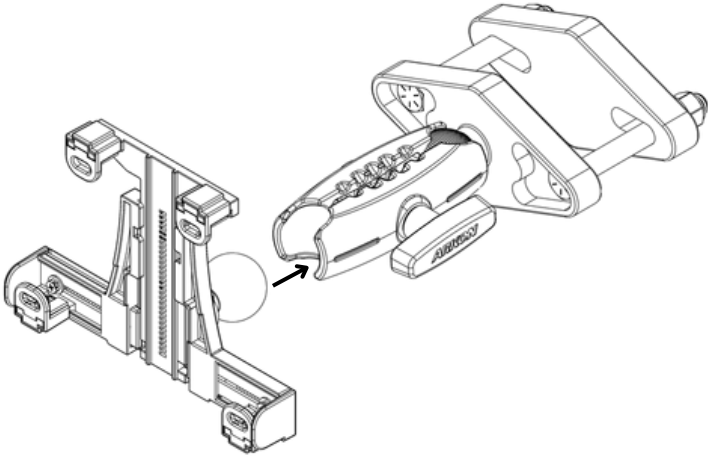
WARNING

Arkon® is not responsible for any damages caused to your device or yourself due to the installation or use of this mount. Do not install Arkon® products near areas that interfere with operation of vehicles. Arkon® assumes no responsibility or liability for injury or death as a result of failure to install in a safe location. Arkon® is not responsible for any damages caused to vehicles, product, or people due to the installation or use of this product.

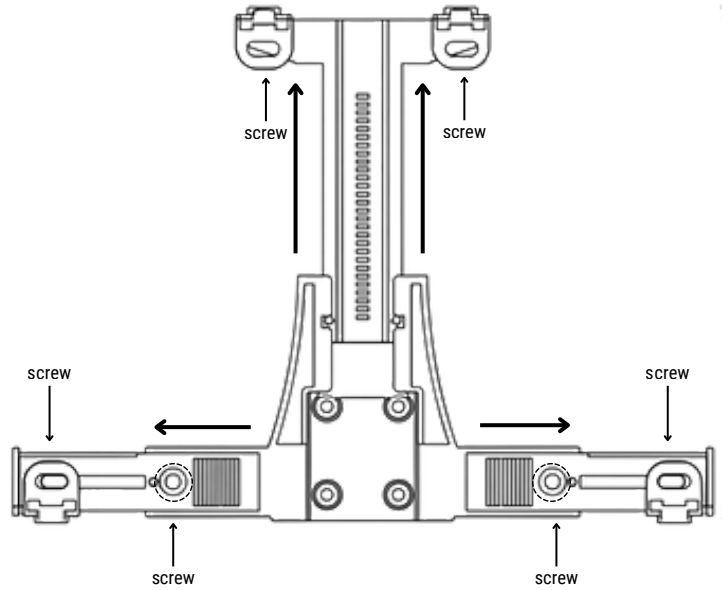


XMS™ Forklift Mount with LockVise™ Locking Holder

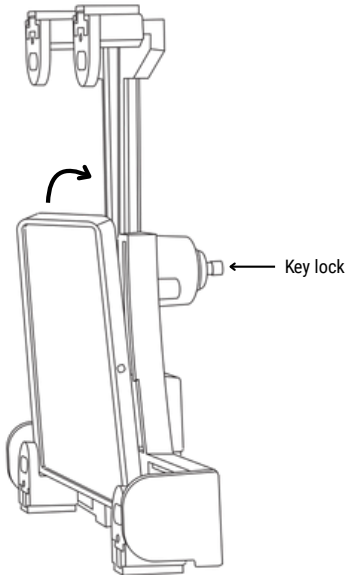
- 5** Attach the adapter with device holder to the shaft arm and tighten securely to complete the assembly.



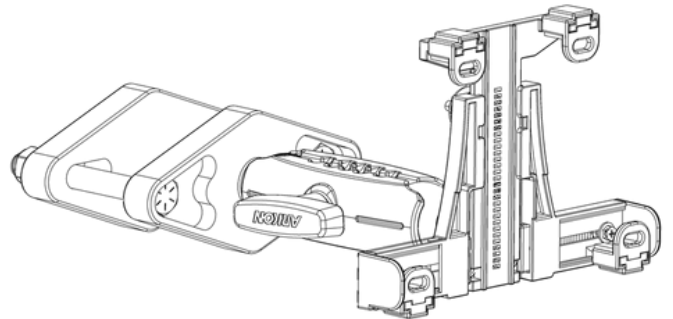
- 6** To adjust the tablet holder, use a Phillips screwdriver. Begin by loosening the screws to increase both the width and depth, then retighten them to ensure a secure fit.



- 7** To secure the tablet, place it in the holder, adjust the top, and press the button on the back to lock it in place.



- 8** The mount has been completely assembled and is now ready for use, as illustrated below.



WARNING

CHOKING HAZARD - Keep out of reach from children under 8 yrs. as they can choke or suffocate on parts included with this system

WARNING

Arkon® is not responsible for any damages caused to your device or yourself due to the installation or use of this mount. Do not install Arkon® products near areas that interfere with operation of vehicles. Arkon® assumes no responsibility or liability for injury or death as a result of failure to install in a safe location. Arkon® is not responsible for any damages caused to vehicles, product, or people due to the installation or use of this product.

ARKON MOUNTS

USA (800) 841-0884
INT'L (626) 254-9005
Monday - Friday 9 am - 5 pm PST

arkon.com
Designed in USA
© Arkon Resources, Inc.

Need assistance?
Scan to email our
Arkon® customer
service team.

