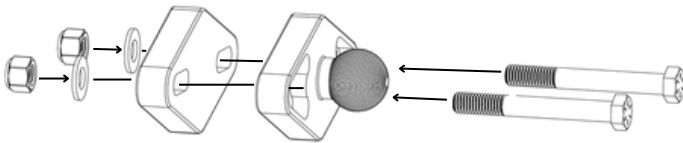


Included Components:

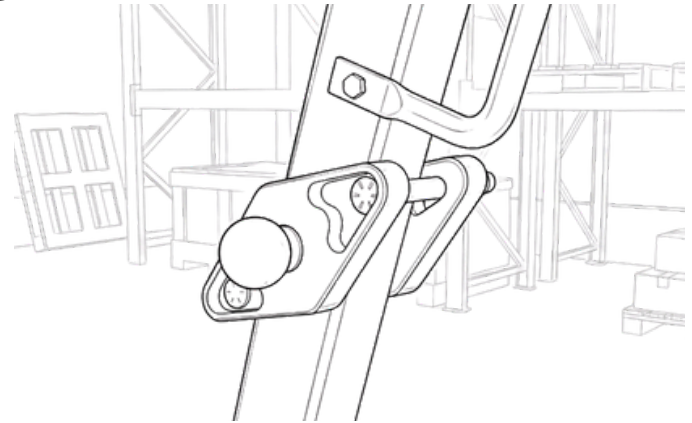
- **Forklift Guard Rail Mount**
 - Black Zinc Plated Washer (x2)
 - Steel Screw (x2)
 - Full Threaded Locknut (x2)
- **Square VESA 75 / VESA 100 Mounting Plate**
 - Screws (x4)
- **AMPS Adapter with Aluminium 38mm Ball**
- **5-inch Metal Shaft Arm OR 8.5-inch Metal Shaft Arm**
(varies on the selected product part number)

Important: Clean the mounting surface before installation. Make sure it is free of dirt, dust, and grease.

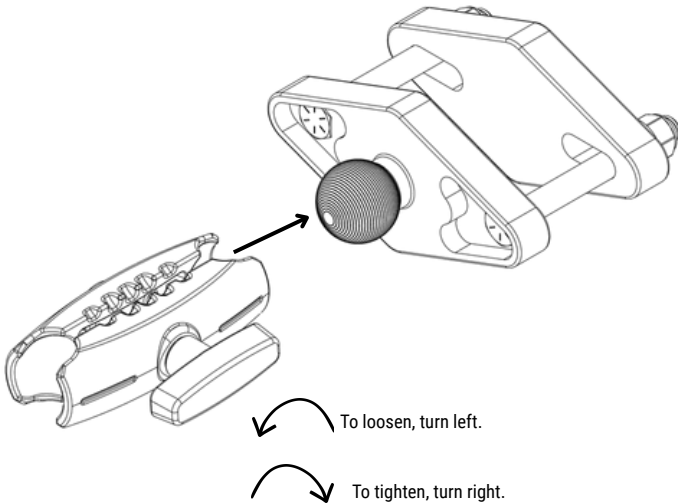
- 1** Align the back and front plates on the forklift guard, insert the screws, and secure with the washers and locknuts. Tighten firmly.



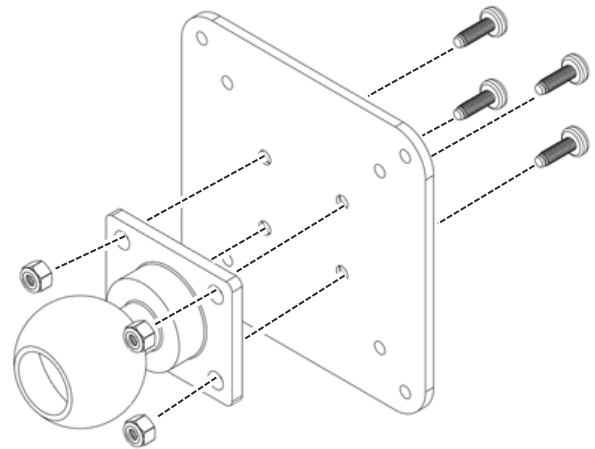
- 2** Refer to the image below for the completed assembly mounted on a forklift.



- 3** Attach a compatible shaft arm to the mounted base and tighten the adjustment knob to secure it in place.



- 4** Attach the ball adapter to the VESA plate by aligning the AMPS adapter with the mounting holes. Insert the supplied hardware and tighten to secure it in place.



WARNING

CHOKING HAZARD - Keep out of reach from children under 8 yrs. as they can choke or suffocate on parts included with this system

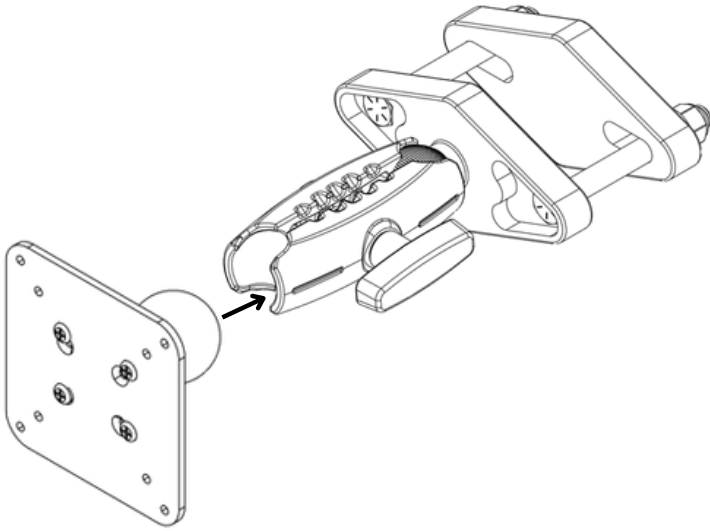
WARNING

Arkon® is not responsible for any damages caused to your device or yourself due to the installation or use of this mount. Do not install Arkon® products near areas that interfere with operation of vehicles. Arkon® assumes no responsibility or liability for injury or death as a result of failure to install in a safe location. Arkon® is not responsible for any damages caused to vehicles, product, or people due to the installation or use of this product.

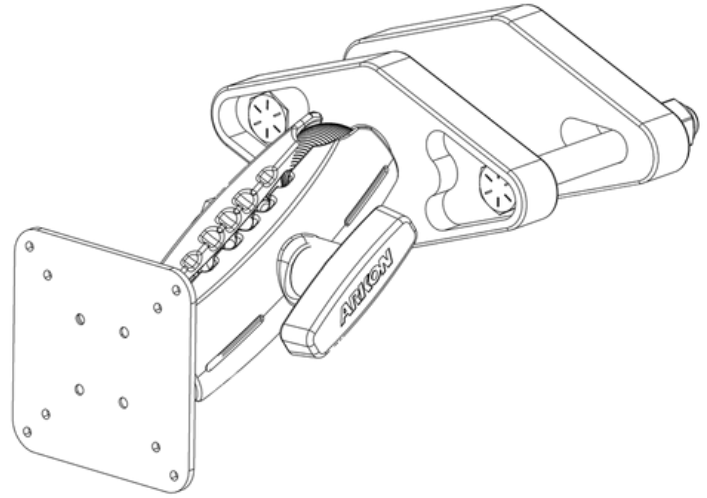


XMS™ Forklift Mount with VESA Mounting Plate

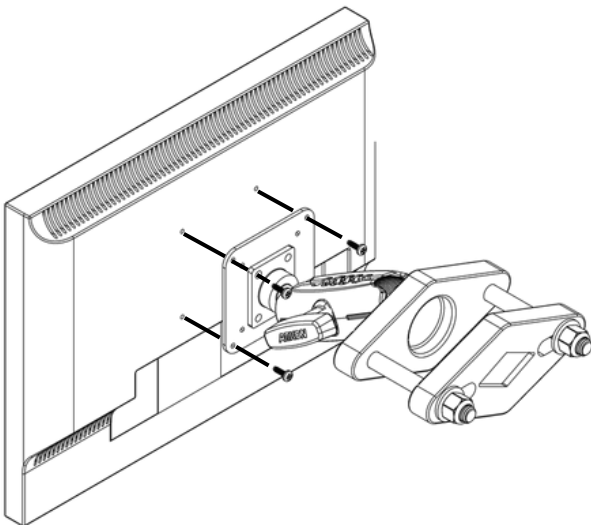
- 5** Attach the adapter with the mounting plate to the shaft arm and tighten securely to complete the assembly.



- 6** The mount has been completely assembled and is now ready for use, as illustrated below.



- 7** Install a VESA compatible display by aligning the adapter with the mounting holes on your TV or monitor. Secure it using M4 screws, which are not included.



WARNING
CHOKING HAZARD - Keep out of reach from children under 8 yrs. as they can choke or suffocate on parts included with this system

WARNING
Arkon® is not responsible for any damages caused to your device or yourself due to the installation or use of this mount. Do not install Arkon® products near areas that interfere with operation of vehicles. Arkon® assumes no responsibility or liability for injury or death as a result of failure to install in a safe location. Arkon® is not responsible for any damages caused to vehicles, product, or people due to the installation or use of this product.

ARKON MOUNTS

USA (800) 841-0884
INT'L (626) 254-9005
Monday - Friday 9 am - 5 pm PST

arkon.com
Designed in USA
©Arkon Resources, Inc.

Need assistance?
Scan to email our
Arkon® customer
service team.

