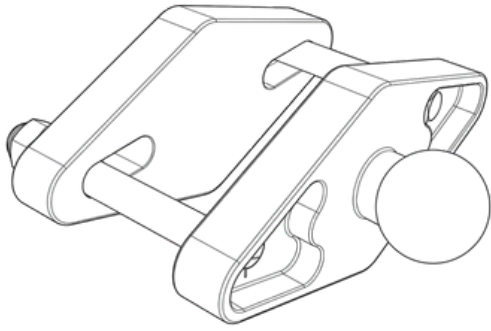


# XMS™ Forklift Guard Rail Mount

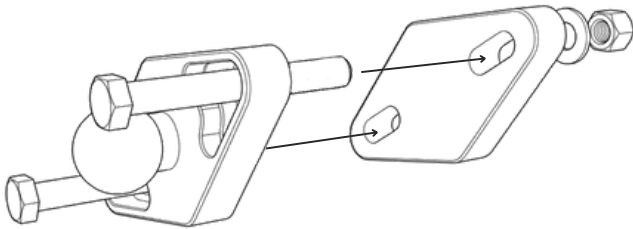


## Included Components:

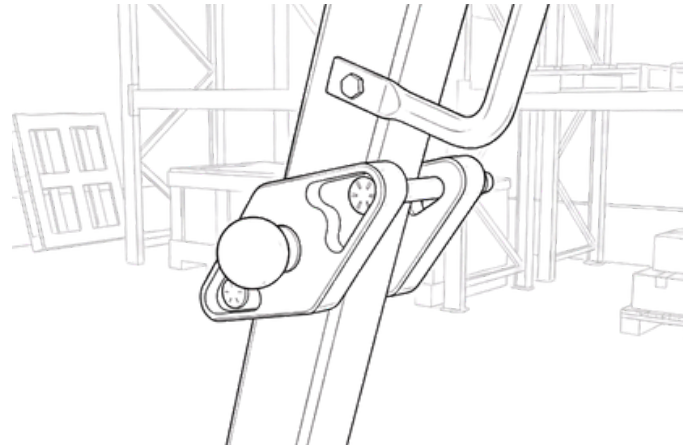
- Diamond-shaped forklift plate with 1.5" ball
- Diamond-shaped forklift plate
- Black Zinc Plated Washer (x2)
- Steel Screw (x2)
- Full threaded locknut (x2)

**Important:** Clean the mounting surface before installation. Make sure it is free of dirt, dust, and grease.

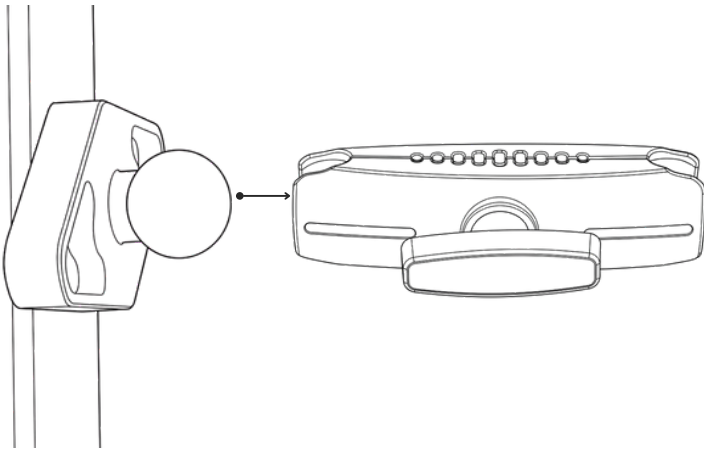
- 1** Align the back and front plates on the forklift guard, insert the screws, and secure with the washers and locknuts. Tighten firmly.



- 2** Refer to the image below for the completed assembly mounted on a forklift.



- 3** Attach a compatible shaft arm to the mounted base and tighten the adjustment knob to secure it in place.



## WARNING

CHOKING HAZARD - Keep out of reach from children under 8 yrs. as they can choke or suffocate on parts included with this system

## WARNING

Arkon® is not responsible for any damages caused to your device or yourself due to the installation or use of this mount. Do not install Arkon® products near areas that interfere with operation of vehicles. Arkon® assumes no responsibility or liability for injury or death as a result of failure to install in a safe location. Arkon® is not responsible for any damages caused to vehicles, product, or people due to the installation or use of this product.

